

#### Features

- Frameless design emphasizes glass and creates a sleek, minimalist look
- Full-length magnetic seal keeps door firmly closed, providing excellent water containment
- Innovative L- bracket secures the fixed panel in place and gives it a sturdy feel while also being unobtrusive to the showering space
- Continuous 7/8" (22 mm) high aluminum bottom threshold
- Back-to-back 11-1/2" (292 mm) vertical handles
- Coordinates with other products in the Composed® collection
- CleanCoat®+ glass coating creates a hydrophobic barrier that repels water, soap scum, and residue, saving time and protecting shower doors 10 times longer than original CleanCoat. (Based on 2021 internal wear/abrasion testing using a microfiber cloth.)

#### Material

- Frameless, 3/8" (10 mm) thick Crystal Clear tempered glass
- Anodized aluminum prevents rust and corrosion

#### Installation

- Fits opening widths 58" – 58-3/4" (1473 – 1492 mm)
- 3/4" (19 mm) width adjustment
- Out-of-plumb adjustability simplifies installation
- Door can be installed to open to the left or right to suit your bathroom layout
- Product ships in two boxes, offering easy handling
- For residential use only
- Not for use in hospitality

#### Included Components

27717-10L 3/8" fixed panel glass and hardware  
27718-10L 3/8" moving panel glass and hinges  
K-27678 11-1/2" shower door handle



#### Codes/Standards

ANSI Z97.1  
CAN/CGSB-12.1  
CPSC 16CFR 1201

#### KOHLER® Bath and Shower Doors Ten-Year Limited Warranty

See website for detailed warranty information.

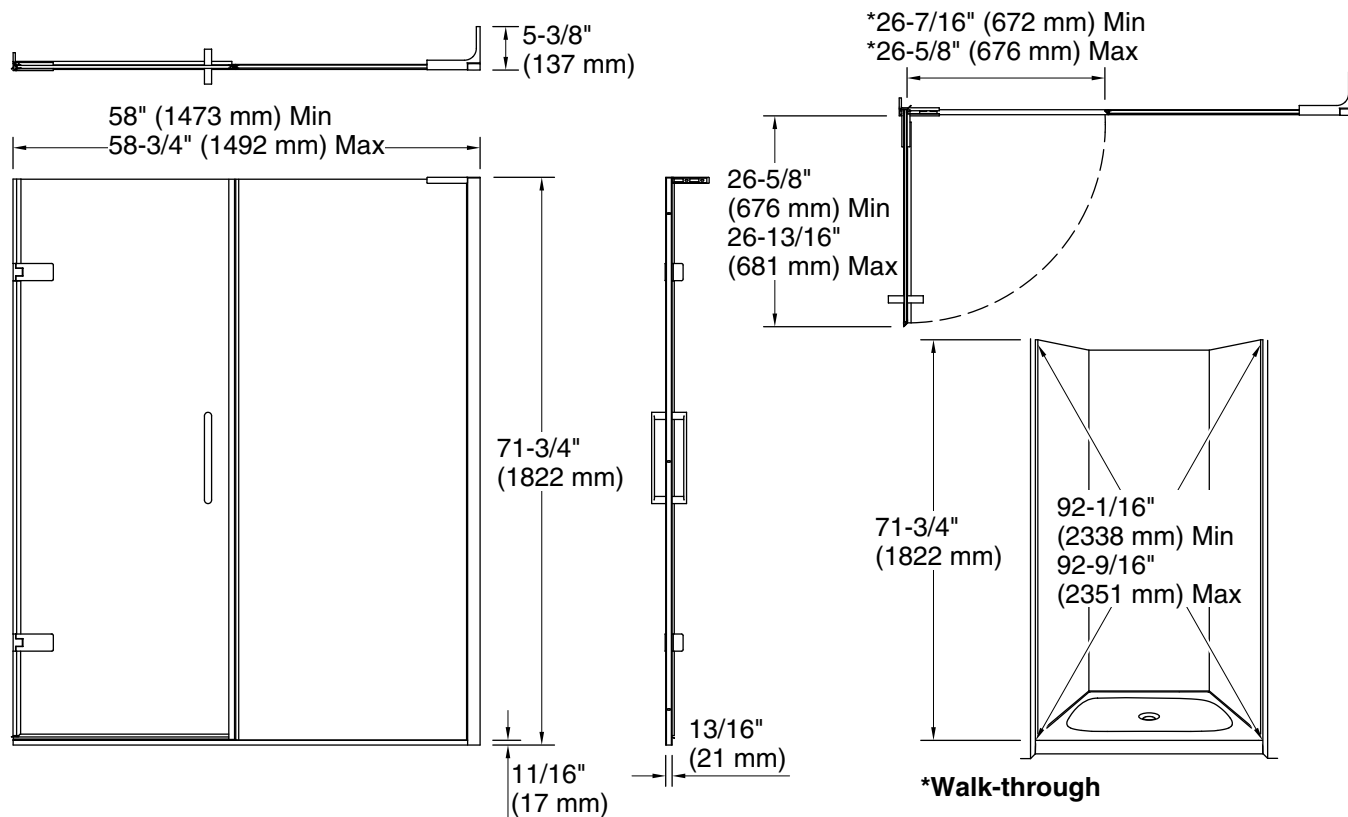
#### Available Colors/Finishes

*Color tiles intended for reference only.*

| Color   | Code | Description             |
|---|------|-------------------------|
|  | SHP  | Bright Polished Silver  |
|  | BL   | Matte Black             |
|  | BNK  | Anodized Brushed Nickel |

#### Available Glass Options

| Code | Description   |
|------|---------------|
| L    | Crystal Clear |



### Technical Information

All product dimensions are nominal.

- Base-To-Wall 1/4" (6 mm)
- Radius – Max:
- Shower Ledge Min 3/4" (19 mm)
- Flat:
- Shower Wall Min 5-1/2" (140 mm)
- Flat:
- Wall Studs Required Yes
- for Door:

### Notes

Install this product according to the installation instructions.

The vertical opening should be a minimum of 73-1/2" (1867 mm) to allow for installation clearance.