



Ceramic/Impressions®

49" Vitreous china vanity top with integrated rectangular sink
K-2783-8

Features

- Integrated sink and vanity top
- 8" (203 mm) widespread faucet holes
- Rectangular basin
- Overflow drain
- Raised outer edge helps contain water and prevents items from rolling off the vanity top
- Dimensional colors

Material

- Vitreous china

Installation

- Vanity top

Recommended Products/Accessories

- K-23726 Drain treatment
- K-23725 Cast iron cleaner

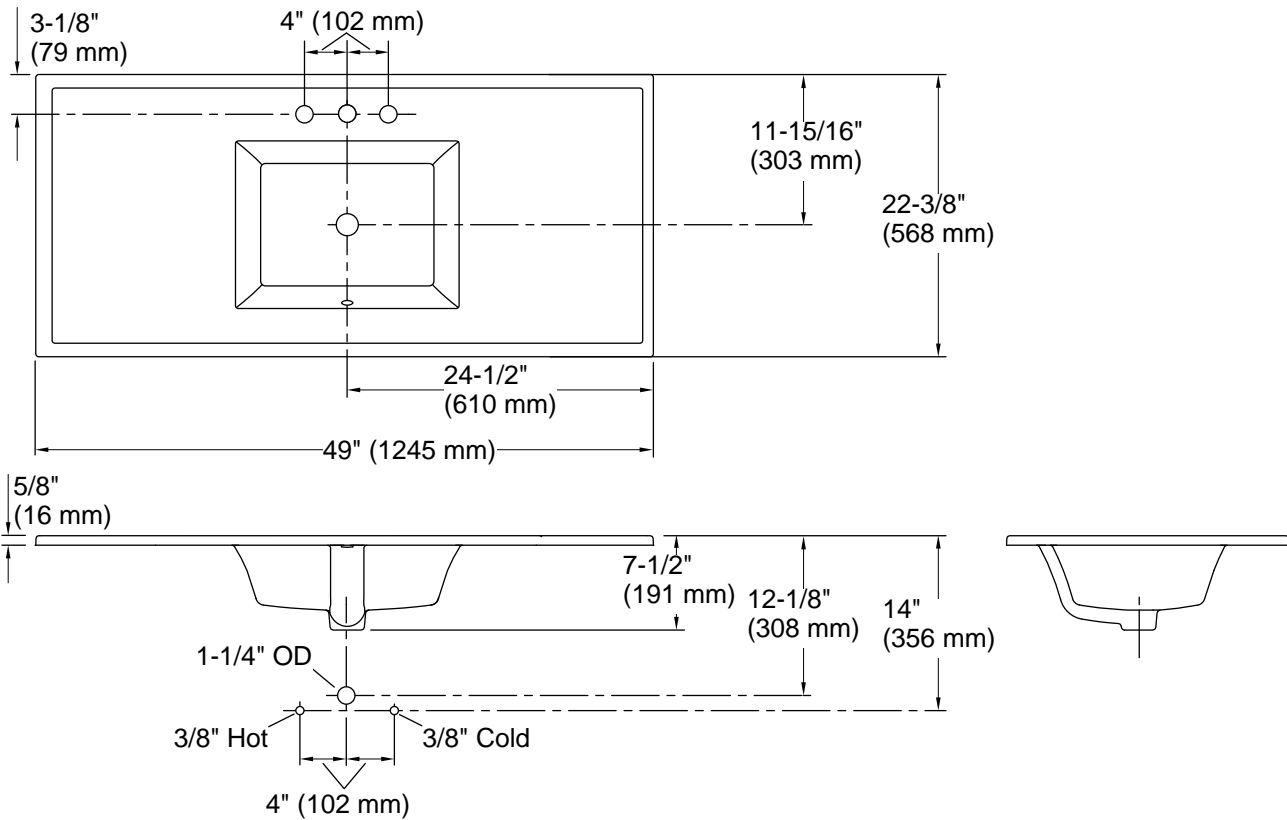


Codes/Standards

- ASME A112.19.2/CSA B45.1
- IAPMO Certification

KOHLER® One-Year Limited Warranty

See website for detailed warranty information.



Technical Information

All product dimensions are nominal.

| | |
|-----------------------|--|
| Basin configuration: | Single Bowl |
| Bowl area (Only): | Length: 18-1/8" (461 mm) Width: 13-3/8" (340 mm) Bowl depth: 5-1/2" (140 mm) Water depth: 4" (102 mm) |
| With overflow: | Yes |
| Number of deck holes: | 3 |
| Faucet hole(s): | 1-3/8" (35 mm) |
| Drain hole: | 1-3/4" (44 mm) |

Notes

Install this product according to the installation instructions.

This sink is designed to be installed as an integrated vanity top to a KOHLER or standard vanity.