



# Ceramic/Impressions®

Vanity Top Bathroom Sink  
**K-2796-1**

## Features

- Integrated sink and vanity top
- Single faucet hole
- Oval basin
- Overflow drain
- Raised outer edge helps contain water and prevents items from rolling off the vanity top
- Dimensional colors

## Material

- Vitreous china

## Installation

- Vanity top

## Recommended Products/Accessories

- K-23726 Drain treatment
- K-23725 Cast iron cleaner

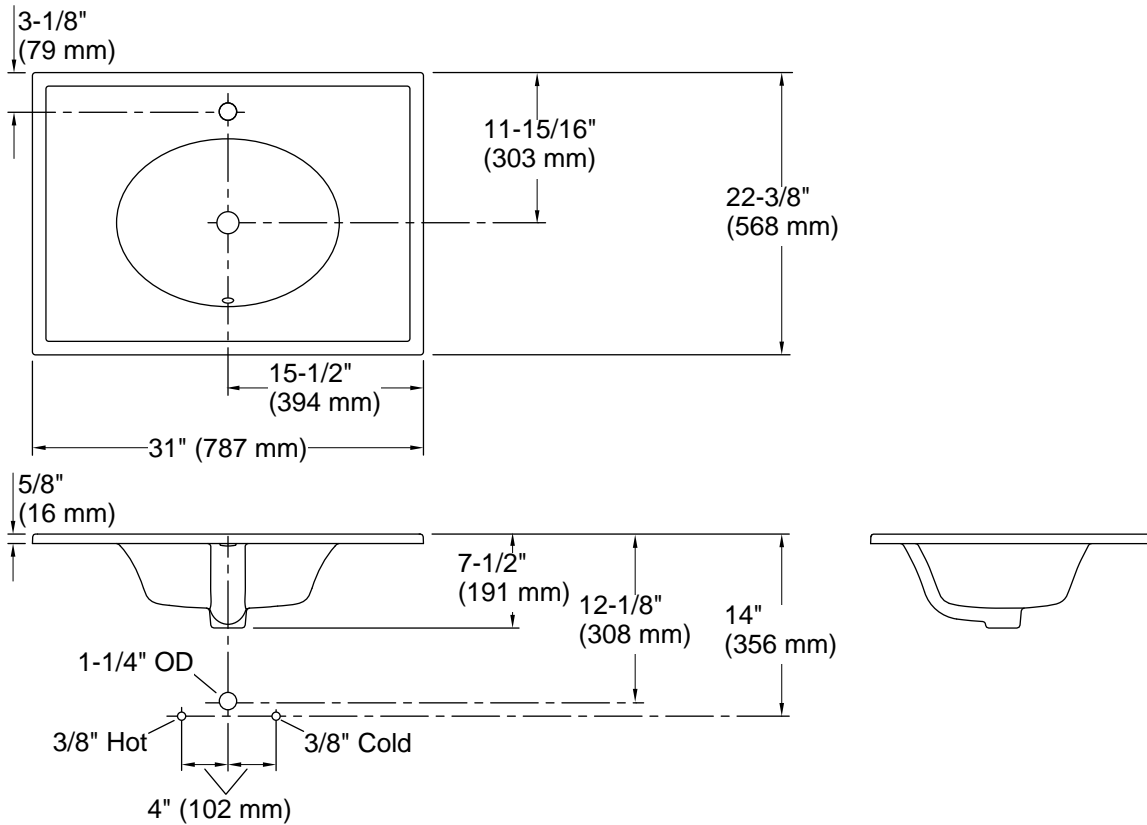


## Codes/Standards

- ASME A112.19.2/CSA B45.1
- IAPMO Certification

## KOHLER® One-Year Limited Warranty

See website for detailed warranty information.



## Technical Information

All product dimensions are nominal.

Basin configuration:	Single Bowl
Bowl area (Only):	Length: 18" (457 mm) Width: 13-3/8" (340 mm) Bowl depth: 5-1/2" (140 mm) Water depth: 4" (102 mm)
With overflow:	Yes
Number of deck holes:	1
Faucet hole(s):	1-3/8" (35 mm)
Drain hole:	1-3/4" (44 mm)

## Notes

Install this product according to the installation instructions.

This sink is designed to be installed as an integrated vanity top to a KOHLER or standard vanity.