

### Features

- 27" (686 mm) minimum base cabinet width for undermount or top-mount installation
- Single bowl
- 10" (254 mm) depth provides generous workspace
- Includes one faucet hole and option for three additional holes for knockout with ball-peen hammer and punch
- Includes K-80049 sink rack
- Matte finish offers rich, dimensional color

### Material

- KOHLER Neoroc® composite is durable and built to withstand day-to-day cleaning tasks
- Solid color throughout the sink
- Heat-resistant up to 750°F
- Scratch-, stain-, chip-, and thermal-shock-resistant

### Installation

- Cutout templates included
- Top-mount or undermount

### Recommended Products/Accessories

- K-8801 Sink drain and strainer with tailpiece
- K-9000 P-Trap
- K-8799 Sink drain and strainer basket
- K-23726 Drain treatment
- K-23730 Neoroc® cleaner

### Optional Products/Accessories

- K-11352 Disposal Flange with Stopper

### Included Components

- K-80049 stainless steel sink rack, 20-5/16" x 15-3/16"



### Codes/Standards




CSA B45.5/IAPMO Z124  
IAPMO Certification

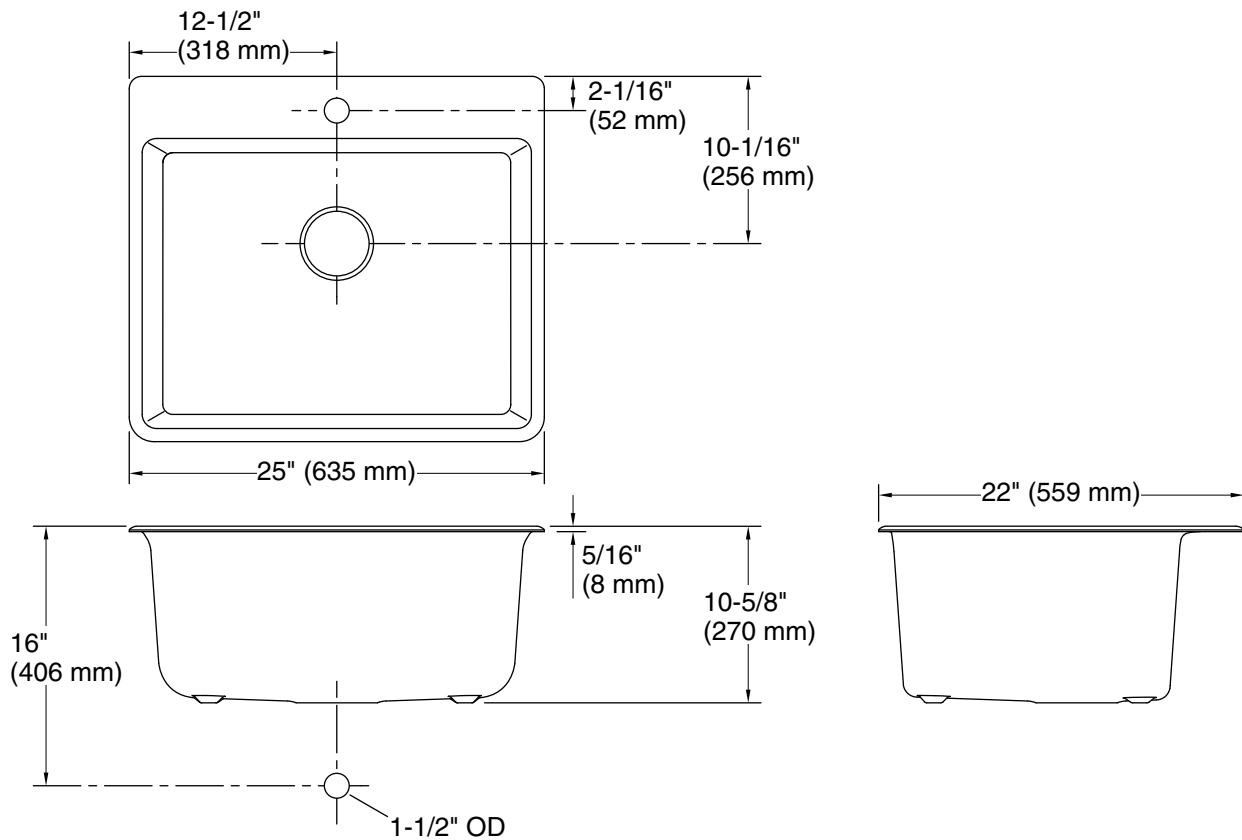
### KOHLER® Neoroc® Sinks Lifetime Limited Warranty

See website for detailed warranty information.

### Available Colors/Finishes

*Color tiles intended for reference only.*

Color	Code	Description
	CM1	Matte Black
	CM3	Matte Taupe
	CM4	Matte Grey



## Technical Information

All product dimensions are nominal.

Bowl configuration:	Single Bowl
Min. base cabinet width:	27" (686 mm)
Bowl area (Basin #1):	Length: 16-15/16" (430 mm) Width: 22-1/8" (561 mm) Bowl depth: 10" (254 mm) Water depth: 10" (254 mm)
Number of deck holes:	1
Drain hole:	3-7/8" (98 mm)
Template:	1354775-7, required, included

## Notes

Install this product according to the installation instructions.

**NOTICE:** Countertop manufacturer or cutter must use the cut-out template provided with the product, or a current one provided by Kohler Co. (call 1-800-4-KOHLER). Kohler Co. is not responsible for cutout errors when the incorrect cut-out template is used.