



Verdera®
34" x 40" medicine cabinet
K-28032

Features

- Front mirror, inside door mirror, and back panel mirror provide superior visibility
- Four adjustable tempered-glass shelves
- Finish-matched cabinet interior
- Vertically adjustable 3x magnifying mirror on inside of door
- Slow-close door prevents slamming
- Two-way adjustable hinges with 108° opening capability for easy cabinet access

Material

- Anodized aluminum construction with a durable rustproof and chip-resistant finish

Installation

- Surface-mount or recessed
- Can be installed with left- or right-hand swing
- Includes mounting hardware for surface installation

Required Products/Accessories

K-28033 40" mirrored side kit for medicine cabinet

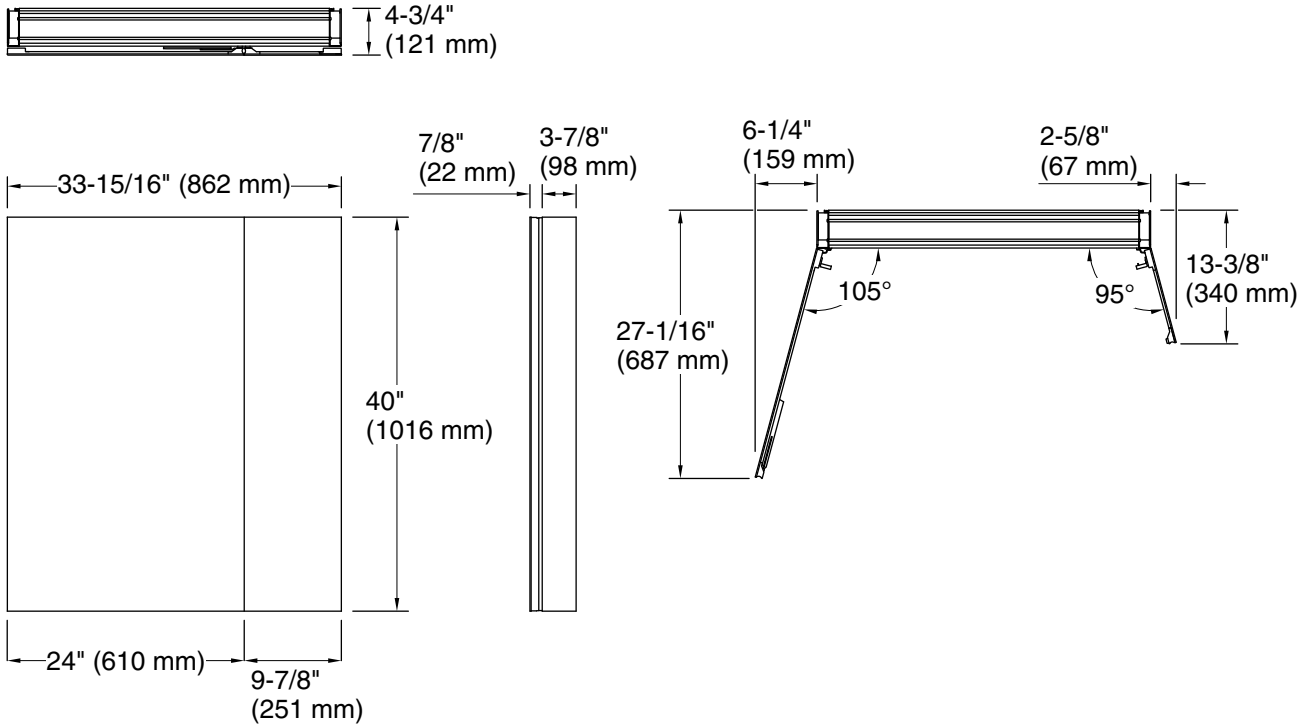


Codes/Standards

None Applicable

**KOHLER® One-Year Limited
Warranty**

See website for detailed warranty information.



Technical Information

All product dimensions are nominal.

Notes

Install this product according to the installation instructions.

When determining the height of the medicine cabinet, ensure the mirrored door will clear all obstacles (such as a faucet). A minimum distance of 3" (76 mm) is required.

This cabinet is designed for either right or left door swing. Check for obstructions.