

## Features

- Premium gold-colored shades and real gold accents in a natural marble pattern on white background
- Round bowl-like basin
- Without overflow

## Material

- Fireclay

## Installation

- No faucet holes; requires wall-mount or counter-mount faucet (sold separately)
- Semi-recessed vessel

## Required Products/Accessories

K-7107 Decorative Drain

or

K-7108 Decorative Drain

or

K-33151 Clicker drain without overflow

## Recommended Products/Accessories

K-23726 Drain treatment

K-23723 Faucet cleaner



**ADA** **CSA B651**

## Codes/Standards

ASME A112.19.2/CSA B45.1

ADA

ICC/ANSI A117.1

CSA B651

IAPMO Certification


## KOHLER® One-Year Limited Warranty

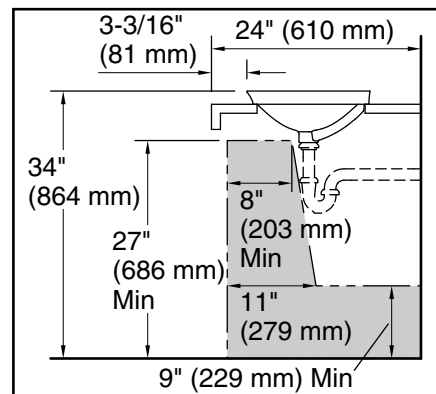
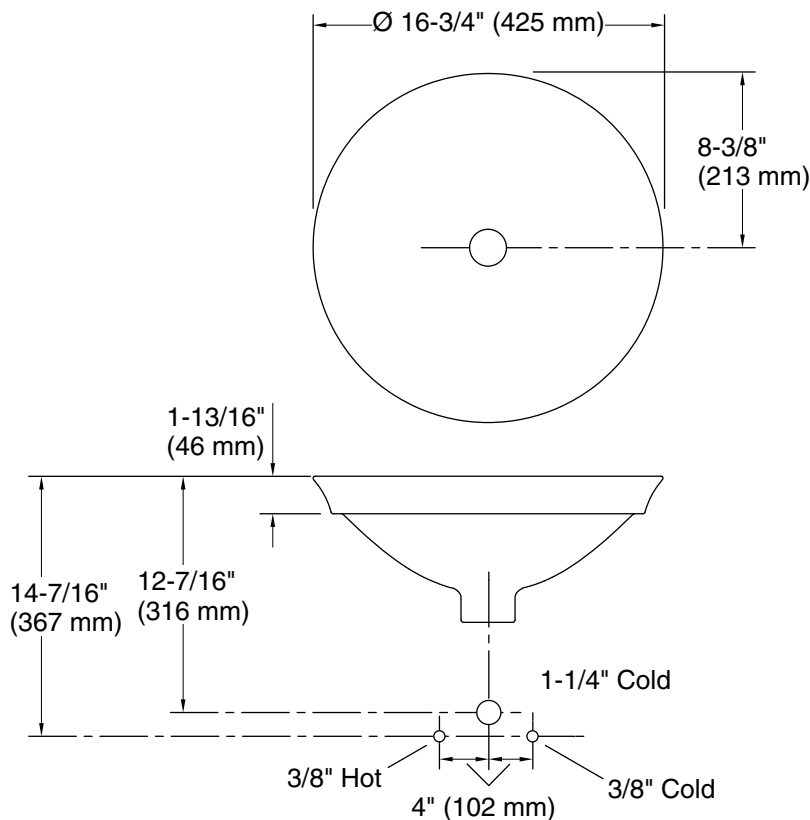
See website for detailed warranty information.

## Available Colors/Finishes

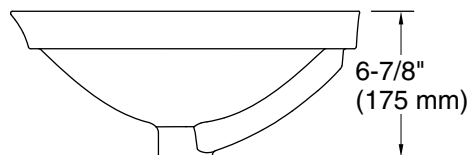
*Color tiles intended for reference only.*

### Color Code Description

	0	White
---	---	-------



**Recommended ADA Installation**



## Technical Information

All product dimensions are nominal.

Basin configuration: Single Bowl  
 Min. base cabinet width: 20" (508 mm)

Bowl area: Length:  $16\text{-}7/16\text{'}$  (418 mm)  
 Width:  $16\text{-}7/16\text{'}$  (418 mm)  
 Bowl depth:  $5\text{-}3/16\text{'}$  (132 mm)  
 Water depth:  $5\text{-}3/16\text{'}$  (132 mm)

With overflow: No

Drain hole:  $1\text{-}3/4\text{'}$  (45 mm)

Template: Drop-in, 1527650-7, required, included

## Notes

Install this product according to the installation instructions.

**NOTICE:** Countertop manufacturer or cutter must use the current product template available at [www.kohler.com](http://www.kohler.com) or by calling 1-800-4KOHLER. Kohler Co. is not responsible for cutout errors when the incorrect cut-out template is used.

ADA, CSA B651 compliant when installed to the specific requirements of these regulations.