

Features

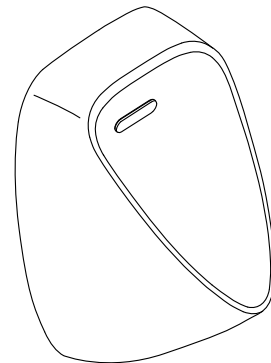
- Compact, modern washdown urinal with no exposed bolt connections
- 0.66 gpf (2.5 lpf)
- Touchless urinals deliver a hygienic, hands-free user experience
- Winning design is perfect for contemporary bathrooms
- Smooth contours make cleaning fixture fast and easy
- Back wall design provides superior splash containment
- Delivers dependable water-saving performance and added hygiene
- Extended lip helps keep floor cleaner
- G 1/2" rear spud

Material

- Vitreous china urinal

Installation

- Trapway secures urinal to wall, eliminating bolts for a faster installation
- Wall-mount



Codes/Standards


Plumbing Standards
GB 28377
GB/T 6952

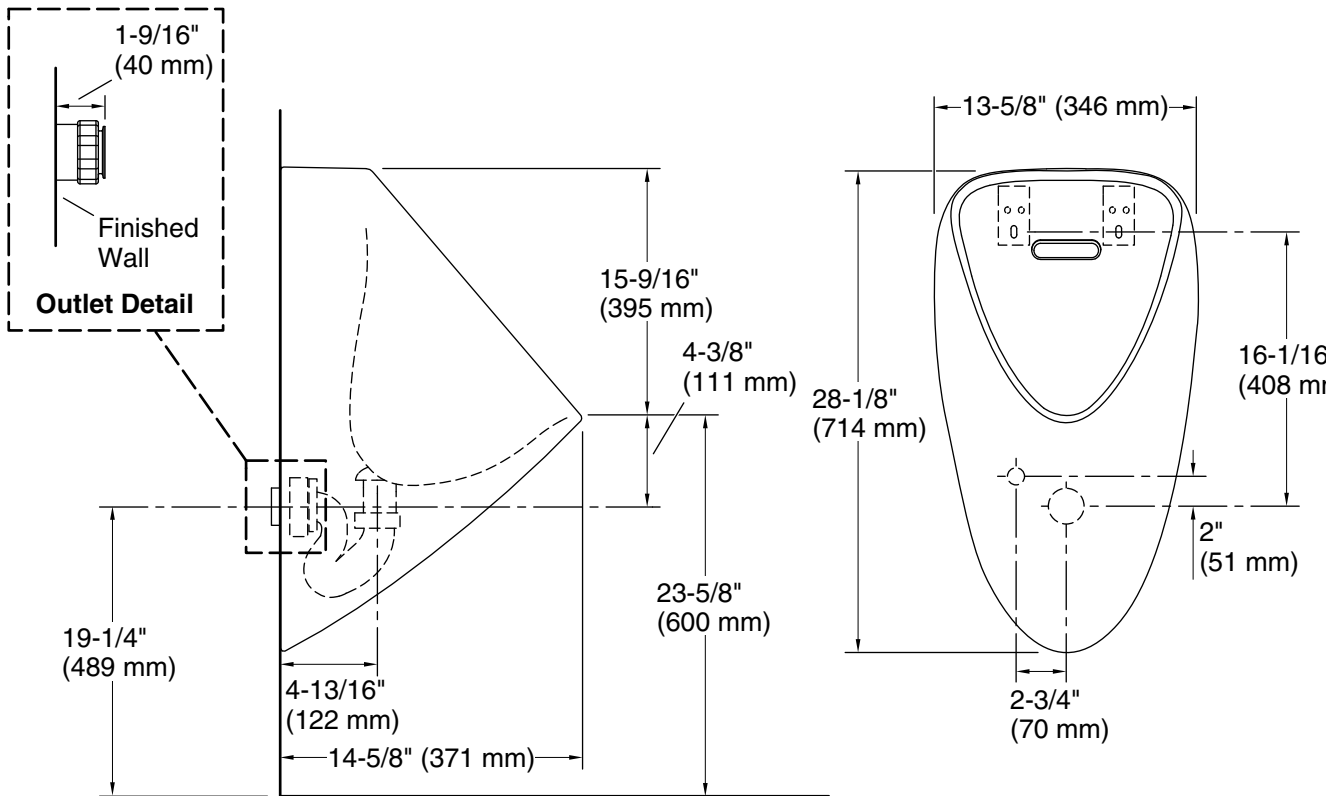
See website for detailed warranty information.

Available Colors/Finishes

Color tiles intended for reference only.

Color	Code	Description
-------	------	-------------

	0	White
---	---	-------



Technical Information

All product dimensions are nominal.

Spud size: 1/2, Inlet, Rear

Min. Water per Flush: 0.8 gpf (2.5 lpf)

Max. Water per Flush: 0.8 gpf (2.5 lpf)

Designed for the above water use when installed with a water-saving flushometer.

Notes

Install this product according to the installation instructions.