

### Features

- Digitally controlled thermostatic mixing valve.
- Antiscald protection.
- Built-in temperature and flow control.
- Up to 12 gpm (45.4 lpm) flow rate at 45 psi (3.1 bar) with maximum flow of 9.5 gpm (36 lpm) from one outlet.
- Three independently controllable G 1/2 female outlets with brass connections.
- G 1/2 female inlets with brass connections.

### Material

- Reinforced engineering-grade thermoplastic body.

### Installation

- Install valve approximately 32' (9754 mm) away from the digital control (cable supplied with control).
- Prewired with two-prong plug for connection to 220v RCD electrical outlet.
- Requires Anthem digital control (sold separately).

### Required Products/Accessories

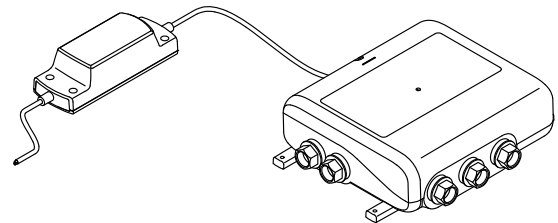
For wall-mount installation  
K-28214 Digital control

### Optional Products/Accessories

K-28213 Remote on/off button for digital thermostatic valve

### Included Components

Additional Components:  
Mounting Hardware  
Filter Screens (Qty 2)  
Jumper  
Power Supply Unit



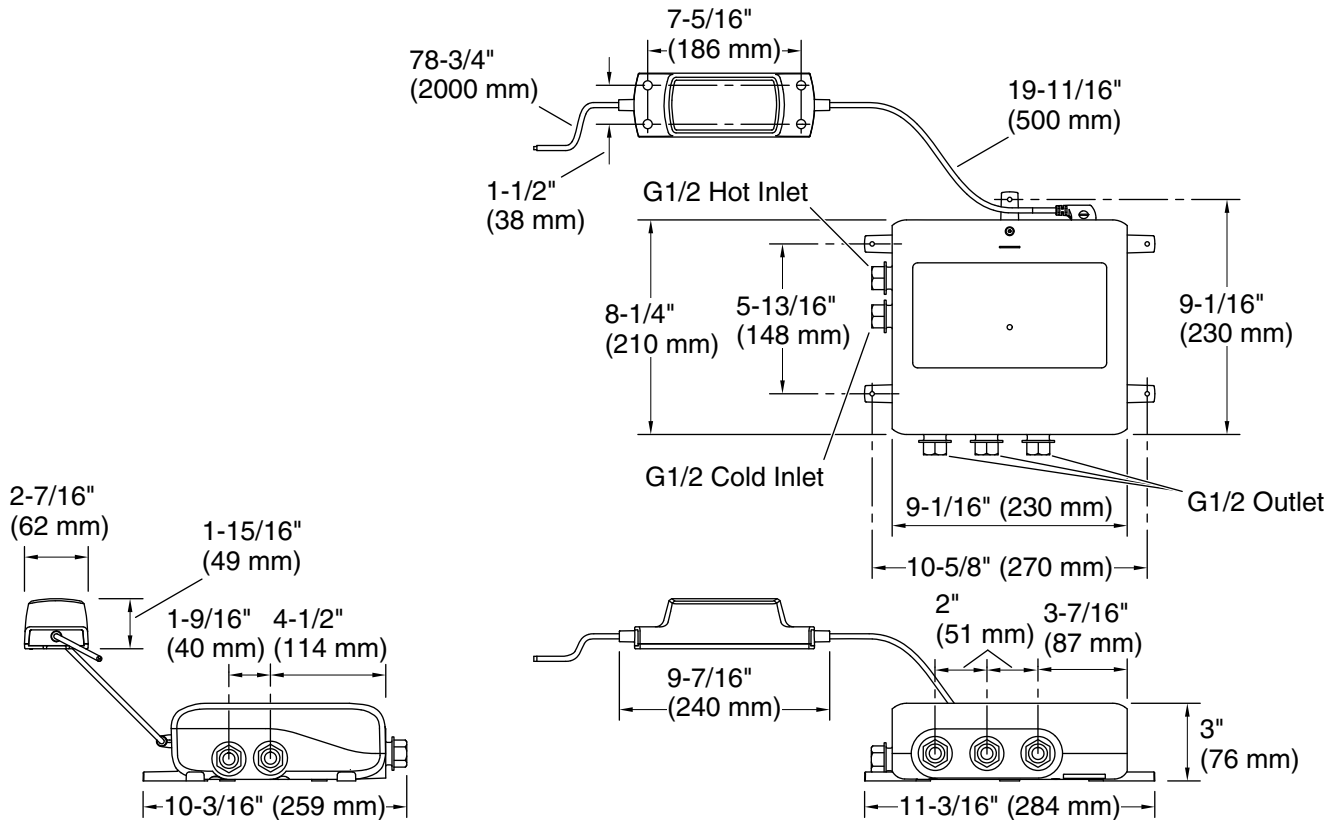
### Codes/Standards

None Applicable

### Three-Year Limited Warranty for KOHLER® Digital Shower Valves and Controls

See website for detailed warranty information.

The BLUETOOTH® word mark and logos are registered trademarks owned by Bluetooth SIG, Inc. and any use of such marks by Kohler Co. is under license. Other trademarks and trade names are those of their respective owners.



### Required Electrical Service

One circuit required, protected with Class A Ground-Fault Circuit-Interrupter (GFCI). Outside North America, this device may be known as a Residual Current Device (RCD).

Thermostatic valve: 120/240 V, 1.6 A, 50/60 Hz

### Technical Information

All product dimensions are nominal.

Power source: Plug - AC, included

### Shower Valve:

Flow Rate (Max) @ 45 psi	12 gal/min (45.4 l/min)
Manufacturer's minimum rated flow:	0.9 gal/min (3.4 l/min)
Pressure:	45 psi (3.1 bar)
Maximum (Static) Pressure:	125 psi (8.6 bar)
Minimum (Operating) Pressure:	15 psi (1 bar)

Drain included: No

Electrical component rating: Thermostatic valve: 120/240 V, 1.6 A, 50/60 Hz

Cable length: Data, 32 ft (9.8 m)

Bluetooth® range: 33 ft (10.1 m)

1-800-4KOHLER (1-800-456-4537)

Kohler Co. reserves the right to make revisions without notice to product specifications.

For the most current Specification Sheet, go to [www.kohler.com](http://www.kohler.com).

4-28-2022 09:56 - AP/CN