

Features

- Digitally controlled thermostatic mixing valve.
- Antiscald protection.
- Built-in temperature and flow control.
- Allows for two different temperature and flow zones in your shower.
- Up to 22 gpm (83 lpm) flow rate at 45 psi (3.1 bar) with maximum flow of 9.5 gpm (36 lpm) from one outlet.
- Four independently controllable 15 mm plastic outlets for push-fit connection.
- 22 mm brass inlets for multiple connection types.

Material

- Reinforced engineering-grade thermoplastic body.

Installation

- Install valve approximately 32' (9754 mm) away from the digital control (cable supplied with control).
- Prewired with three-pin plug for connection to 230v RCD electrical outlet.
- Requires Anthem digital control (sold separately).

Required Products/Accessories

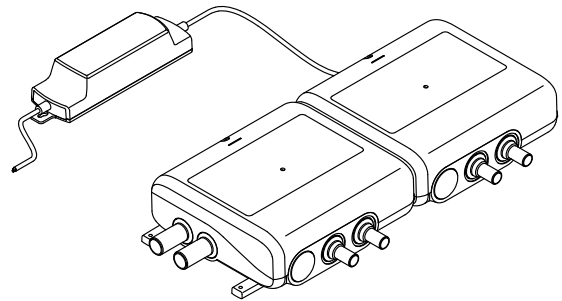
For wall-mount installation
K-28214 Digital control

Optional Products/Accessories

K-28213 Remote on/off button for digital thermostatic valve

Included Components

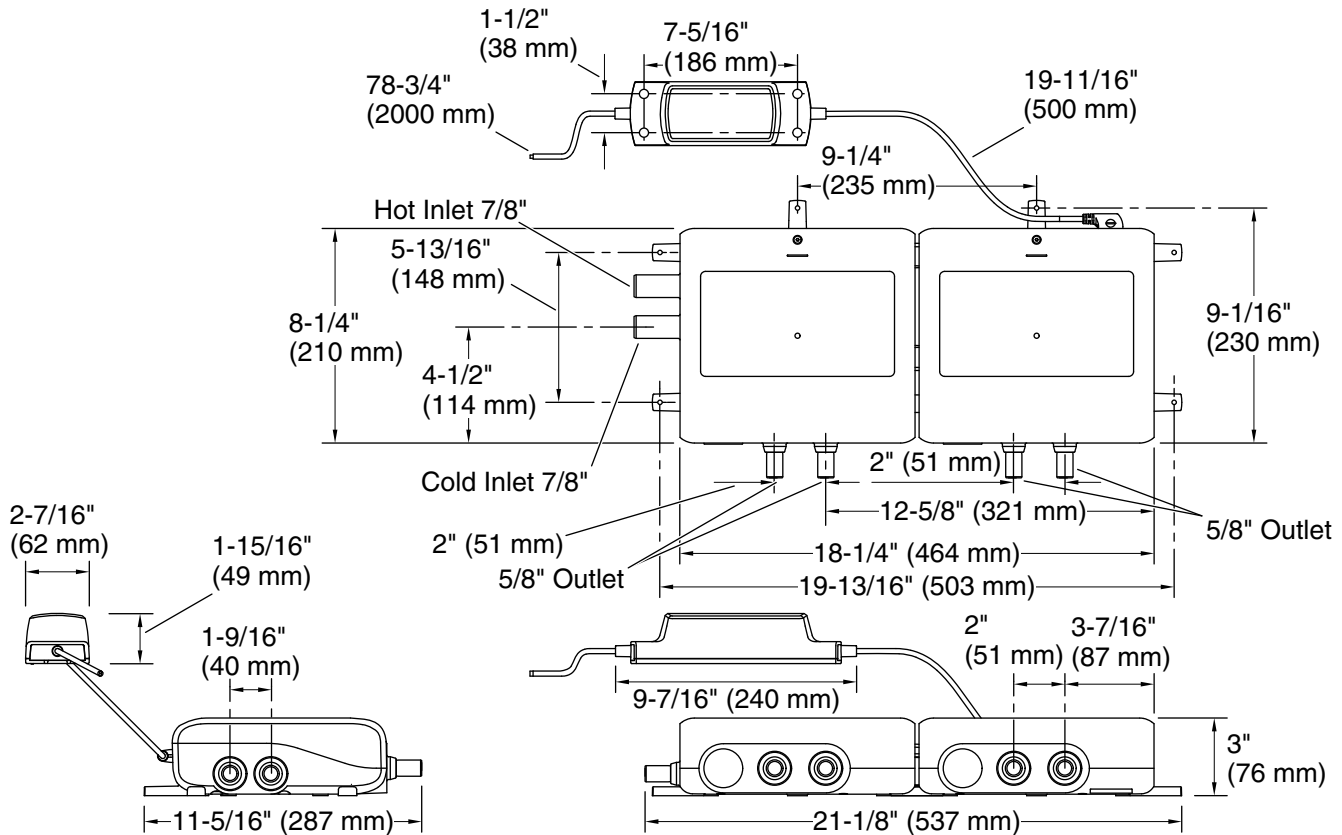
Additional Components:
Filter Screens (Qty 2)
Jumper
Mounting Hardware
Power Supply Unit



Codes and Standards vary by country.
Consult your Kohler representative for detailed information.

Warranty varies by country. See country website for detailed warranty information.

The BLUETOOTH® word mark and logos are registered trademarks owned by Bluetooth SIG, Inc. and any use of such marks by Kohler Co. is under license. Other trademarks and trade names are those of their respective owners.



Required Electrical Service

One circuit required, protected with Class A Ground-Fault Circuit-Interrupter (GFCI). Outside North America, this device may be known as a Residual Current Device (RCD).

Thermostatic valve: 120/240 V, 1.6 A, 50/60 Hz

Technical Information

All product dimensions are nominal.

Power source: Plug - AC, included

Shower Valve:

Flow Rate (Max) @ 45 psi 22.5 gal/min (85.2 l/min)

Manufacturer's minimum rated flow: 0.9 gal/min (3.4 l/min)

Pressure: 45 psi (3.1 bar)

Maximum (Static) Pressure: 125 psi (8.6 bar)

Minimum (Operating) Pressure: 15 psi (1 bar)

Valve body: Plastic

Drain included: No

Electrical component rating: Thermostatic valve: 120/240 V, 1.6 A, 50/60 Hz

Cable length: Data, 32 ft (9.8 m)

Kohler Co. reserves the right to make revisions without notice to product specifications. Please contact your local Kohler representative for information such as countries where this product is available; warranty information; service parts information.

4-28-2022 10:09 K-28211W_spec_GPS - GS