

Features

- Oval basin
- No faucet holes; requires wall- or counter-mount faucet
- Coordinates with other products in the Serif collection

Material

- KOHLER® enameled cast iron

Installation

- Undermount

Recommended Products/Accessories

K-9018 P-Trap
K-23726 Drain treatment
K-23725 Cast iron cleaner

Included Components

1193643 Basin clamps



ADA

CSA B651

Codes/Standards

ASME A112.19.1/CSA B45.2
ADA
ICC/ANSI A117.1
CSA B651
IAPMO Certification



KOHLER® Enameled Cast Iron Kitchen and Bathroom Sink Lifetime Limited Warranty

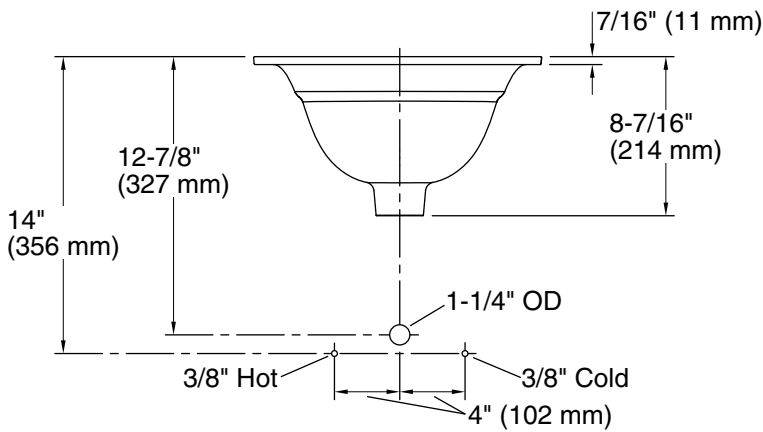
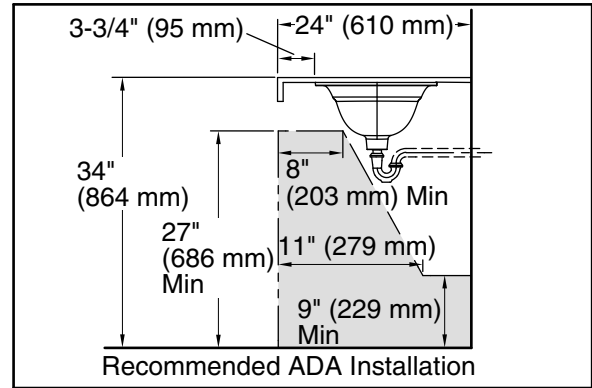
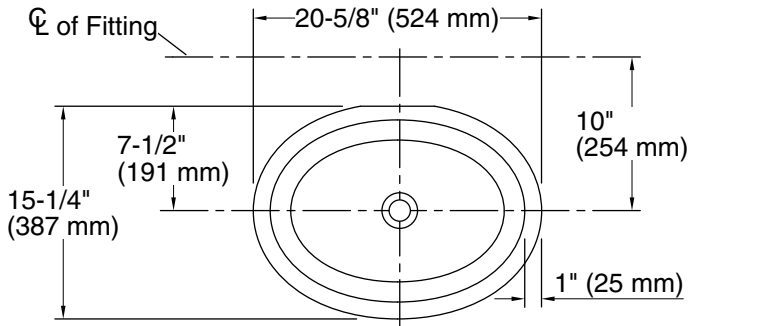
See website for detailed warranty information.

Available Colors/Finishes

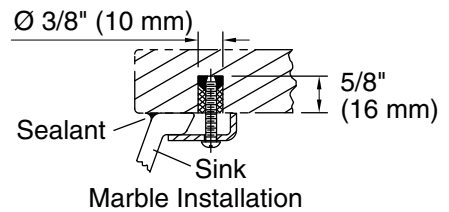
Color tiles intended for reference only.

| Color | Code | Description |
|-------|------|-------------|
|-------|------|-------------|

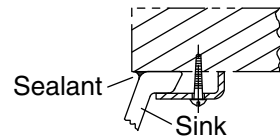
| | | |
|---|----|---------|
|  | 0 | White |
|  | 96 | Biscuit |



Standard Installation



Marble Installation



Wood Counter Installation

Technical Information

All product dimensions are nominal.

- Basin configuration: Single Bowl
- Bowl area (Only): Length: 17-3/4" (451 mm)
 Width: 12-3/4" (324 mm)
 Water depth: 6-7/16" (164 mm)
- With overflow: No
- Drain hole: 1-5/8" (41 mm)
- Template: 1039083-7, required, included

Notes

Install this product according to the installation instructions.

Supplied basin clamp assemblies require 1" (25 mm) minimum countertop thickness. Installer must supply anchors for thinner countertops.

NOTICE: The countertop manufacturer or cutter must use the cutout template provided with the product, or a current one provided by the Kohler Co. (call 1-800-4KOHLER). Kohler Co. is not responsible for cutout errors when the incorrect cutout template is used.

ADA, CSA B651 compliant when installed to the specific requirements of these regulations.