



**Ledges®**  
22-1/2" rectangular undermount bathroom sink  
**K-2838**

**Features**

- Gently curved basin
- Two side ledges
- Overflow drain
- No faucet holes; requires wall- or counter-mount faucet

**Material**

- KOHLER® enameled cast iron

**Installation**

- Undermount

**Recommended Products/Accessories**

- K-8998 P-Trap
- K-23726 Drain treatment
- K-23725 Cast iron cleaner

**Included Components**

- 1193643 Basin clamps



ADA

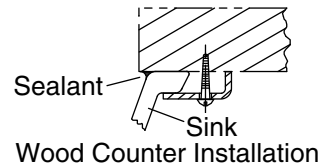
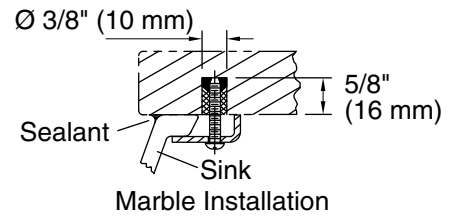
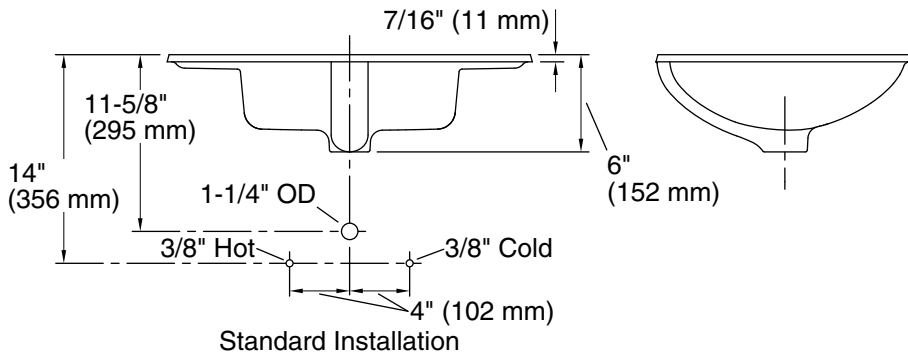
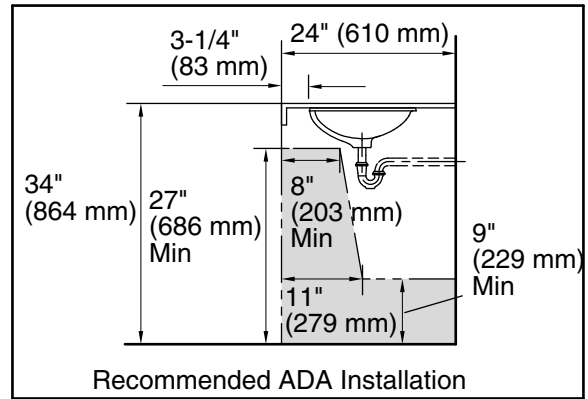
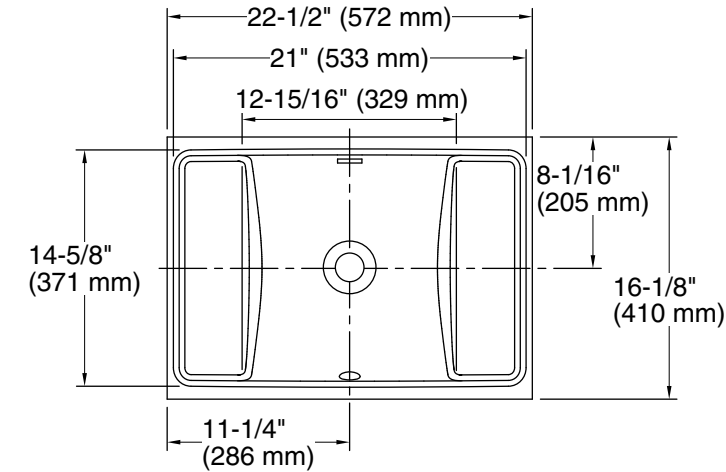
CSA B651

**Codes/Standards**

ASME A112.19.1/CSA B45.2  
ADA  
ICC/ANSI A117.1  
CSA B651  
IAPMO Certification

**KOHLER® Enameled Cast Iron  
Kitchen and Bathroom Sink Lifetime  
Limited Warranty**

See website for detailed warranty information.



### Technical Information

All product dimensions are nominal.

- Basin configuration: Single Bowl  
 Bowl area (Only): Length: 12-15/16" (329 mm)  
 Width: 14-5/8" (371 mm)  
 Water depth: 3-1/4" (83 mm)  
 With overflow: Yes  
 Drain hole: 1-11/16" (43 mm)  
 Template: 1070407-7, required, included

### Notes

Install this product according to the installation instructions.

ADA, CSA B651 compliant when installed to the specific requirements of these regulations.