

Billet® | K-28672-9

Two-hole wall-mount bridge kitchen sink faucet

Features

- High-arch rotating spout offers superior clearance for filling pots and cleaning
- Two round handles offer separate control of hot and cold water
- KOHLER® ceramic disc valves exceed industry longevity standards for a lifetime of durable performance
- 1.5 gpm (5.7 lpm) maximum flow rate at 60 psi (4.14 bar)
- Coordinates with other products in the Billet™ collection



Sustainability



Available Colors/Finishes

Color tiles intended for reference only.

- CP Polished Chrome
- SN Vibrant Polished Nickel
- AF Vibrant French Gold
- VS Vibrant Stainless
- BV Vibrant Brushed Bronze
- BL Matte Black
- 2MB Vibrant Brushed Moderne Brass
- BMB Matte Black with Brushed Moderne Brass
- TT Vibrant Titanium



Codes/Standards

ASME A112.18.1/CSA B125.1
NSF/ANSI/CAN 372
NSF/ANSI/CAN 61
DOE - Energy Policy Act 1992
California Energy Commission (CEC)

Technical Information

All product dimensions are nominal.

Handle

Handle Style/ Type: Knob

Spout

Spout Reach: 8-5/8" (218 mm)

Flow Rate

Faucet Flow Rate: 1.5 gpm (5.7 l/min)

Material

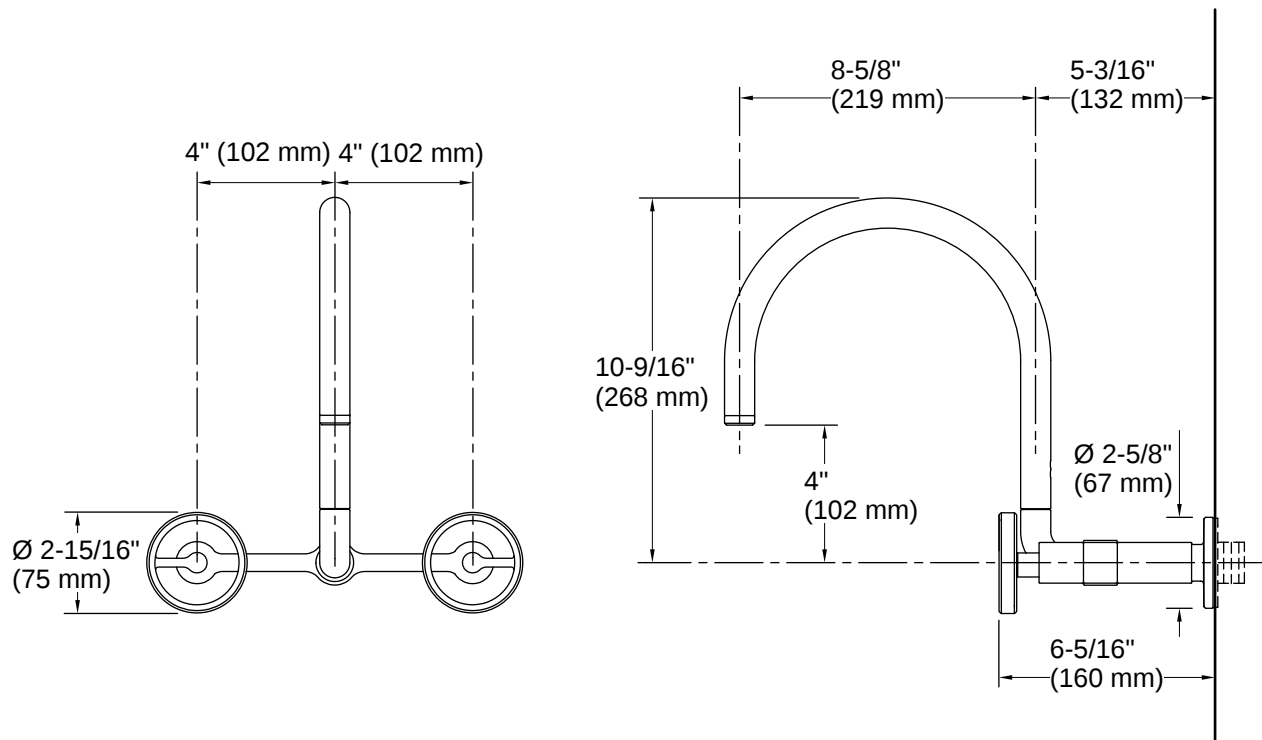
- Premium metal construction for durability and reliability
 - KOHLER finishes resist corrosion and tarnishing
-

Warranty

See website for detailed warranty information.

KOHLER® Faucet Lifetime Limited Warranty





Installation

- Wall-mount

Installation Notes

Install this product according to the installation instructions.

