

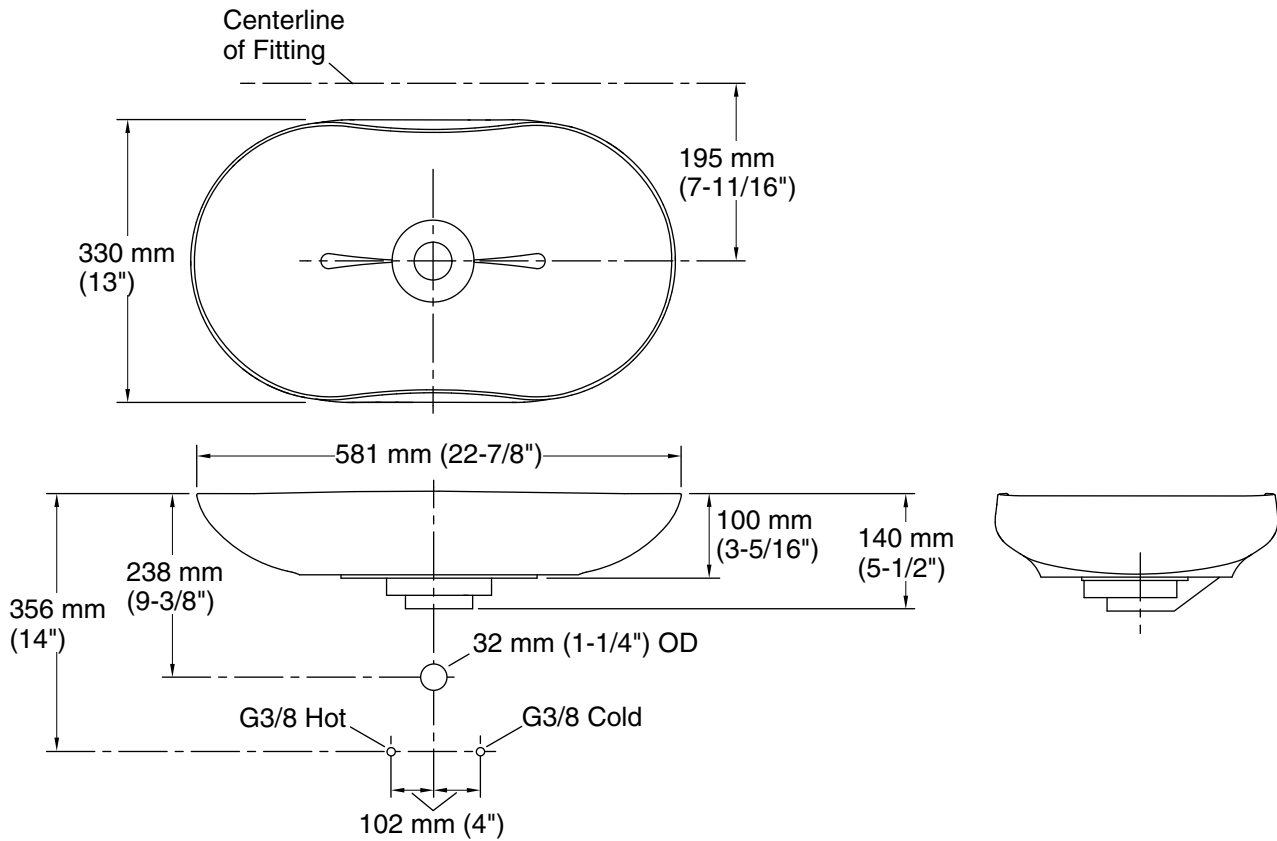
Features

- Lithocast Material.
- Drop-in or vessel.
- Sleek and contemporary design.



Codes and Standards vary by country.
Consult your Kohler representative for detailed information.

Warranty varies by country. See country website for detailed warranty information.



Technical Information

All product dimensions are nominal.

Installation: Vessel

Notes

Install this product according to the installation instructions.