



**Yepesen®**  
20" rectangular undermount bathroom sink, no  
overflow  
**K-28823-G2**

### Features

- Deep rectangular basin in opaque glass with concealing linear texture
- Handcrafted in small batches by expert glassmakers, featuring bubbles, textures, and other markings, unique to each individual piece
- Glass material provides a strong durable surface that is easy to clean yet visually distinctive
- The Yepesen sink is available in clear glass, translucent colors, and opaque colors
- Allows flexible faucet and accessory installation
- No faucet holes; requires wall- or counter-mount faucet

### Installation

- Undermount

### Required Products/Accessories

K-7107 Decorative Drain

or

K-7108 Decorative Drain

or

K-7129 Drain

### Recommended Products/Accessories

K-23726 Drain treatment

K-23723 Faucet cleaner



**ADA**

### Codes/Standards

CSA B45.11/IAPMO Z401

ADA

ICC/ANSI A117.1

IAPMO Certification

### KOHLER® One-Year Limited Warranty

See website for detailed warranty information.

### Available Colors/Finishes

*Color tiles intended for reference only.*

Color	Code	Description
-------	------	-------------



B11	Ice
-----	-----

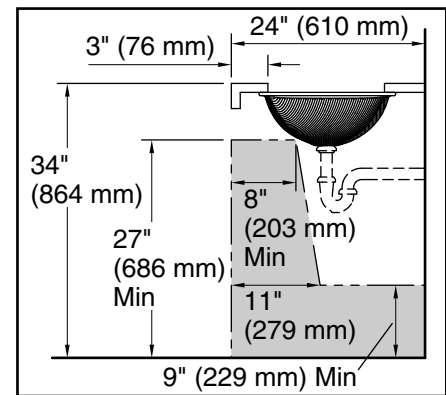
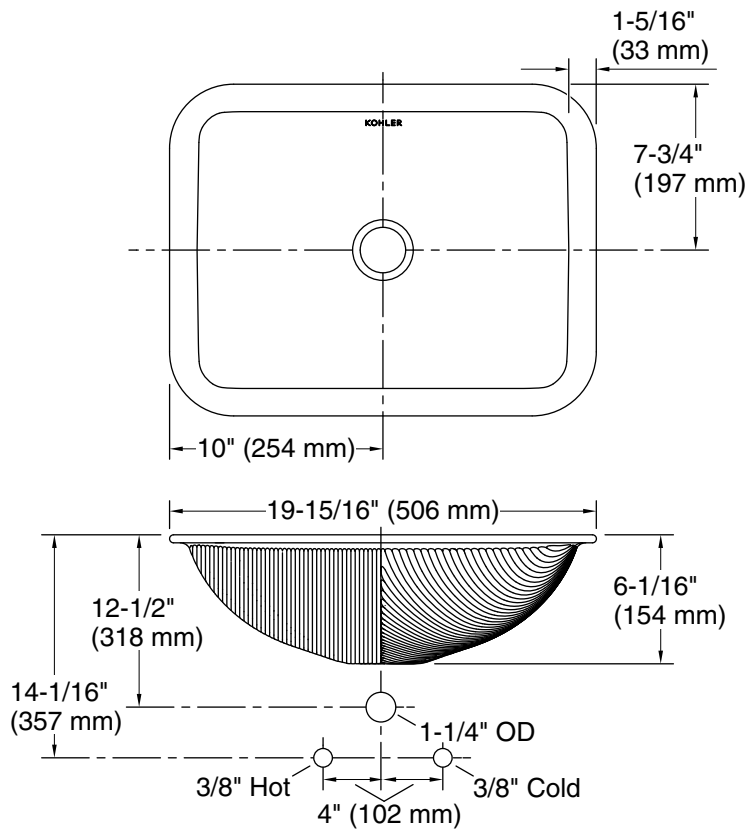
1-800-4KOHLER (1-800-456-4537)

Kohler Co. reserves the right to make revisions without notice to product specifications.

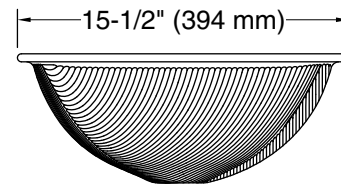
For the most current Specification Sheet, go to [www.kohler.com](http://www.kohler.com) USA or [www.kohler.ca](http://www.kohler.ca) Canada

10-17-2024 23:11 - US/CA

THE BOLD LOOK  
OF **KOHLER®**



Recommended ADA Installation



## Technical Information

All product dimensions are nominal.

Basin configuration: Single Bowl

Min. base cabinet width: 13" (330 mm)

Bowl area (Only): Length: 17-3/8" (441 mm)  
Width: 13" (330 mm)  
Bowl depth: 5-5/16" (135 mm)  
Water depth: 5-5/16" (135 mm)

With overflow: No

Drain hole: 1-11/16" (43 mm)

Template: Undermount, 1281904-7, required, included

## Notes

Install this product according to the installation instructions.

ADA compliant when installed to the specific requirements of these regulations.