



Yepsen®
20" rectangular undermount bathroom sink, no
overflow
K-28823-G3

Features

- Deep rectangular basin in opaque glass with concealing linear texture
- Handcrafted in small batches by expert glassmakers, featuring bubbles, textures, and other markings, unique to each individual piece
- Glass material provides a strong durable surface that is easy to clean yet visually distinctive
- The Yepsen sink is available in clear glass, translucent colors, and opaque colors
- Allows flexible faucet and accessory installation
- No faucet holes; requires wall- or counter-mount faucet



Installation

- Undermount

Required Products/Accessories

K-7107 Decorative Drain

or

K-7108 Decorative Drain

or

K-7129 Drain

Recommended Products/Accessories

K-23726 Drain treatment

K-23723 Faucet cleaner

ADA

Codes/Standards

CSA B45.11/IAPMO Z401

ADA

ICC/ANSI A117.1

IAPMO Certification

KOHLER® One-Year Limited Warranty

See website for detailed warranty information.

Available Colors/Finishes

Color tiles intended for reference only.

Color	Code	Description
-------	------	-------------



B11	Ice
-----	-----

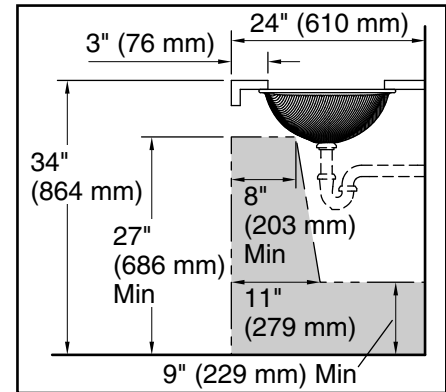
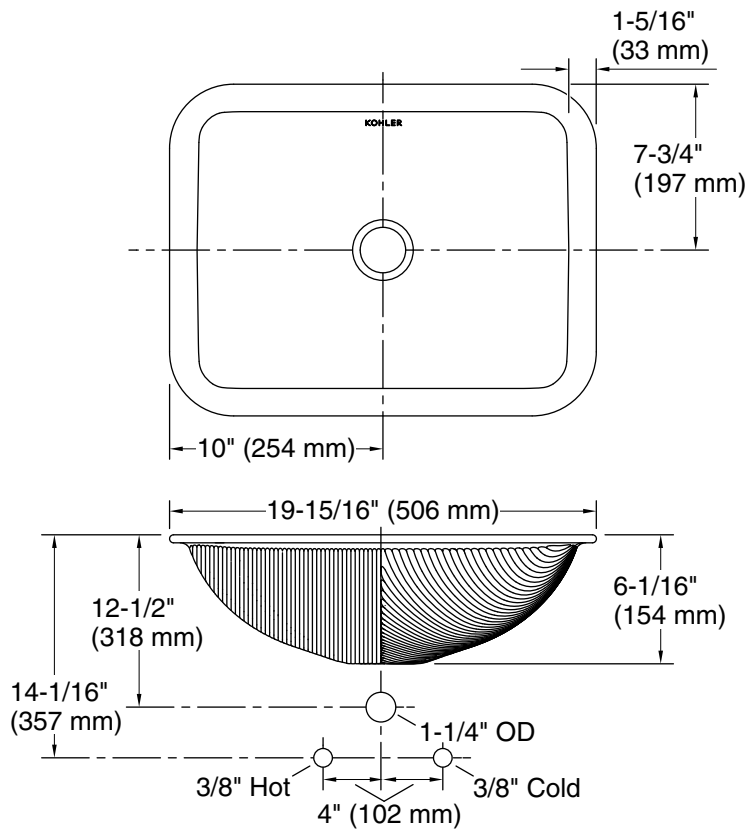
1-800-4KOHLER (1-800-456-4537)

Kohler Co. reserves the right to make revisions without notice to product specifications.

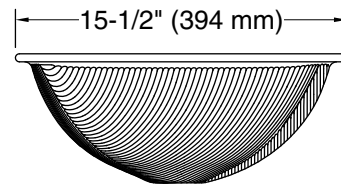
For the most current Specification Sheet, go to www.kohler.com USA or www.kohler.ca Canada

10-18-2024 00:13 - US/CA

THE BOLD LOOK
OF **KOHLER®**



Recommended ADA Installation



Technical Information

All product dimensions are nominal.

Basin configuration: Single Bowl

Min. base cabinet width: 13" (330 mm)

Bowl area (Only): Length: 17-3/8" (441 mm)
 Width: 13" (330 mm)
 Bowl depth: 5-5/16" (135 mm)
 Water depth: 5-5/16" (135 mm)

With overflow: No

Drain hole: 1-11/16" (43 mm)

Template: Undermount, 1281904-7, required, included

Notes

Install this product according to the installation instructions.

ADA compliant when installed to the specific requirements of these regulations.