



Man's Lav™
Undermount bathroom sink
K-2885-8U

Features

- 8" (203 mm) widespread faucet holes
- Sloped rectangular basin
- Overflow drain
- 24" (610 mm) x 13" (330 mm)

Material

- KOHLER® enameled cast iron

Installation

- Undermount

Recommended Products/Accessories

- K-8998 P-Trap
- K-23726 Drain treatment
- K-23725 Cast iron cleaner

Included Components

- 1193643 Basin clamps



ADA

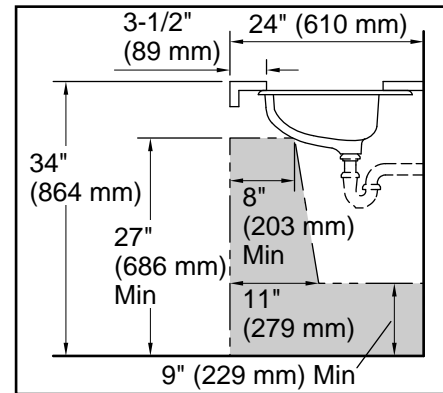
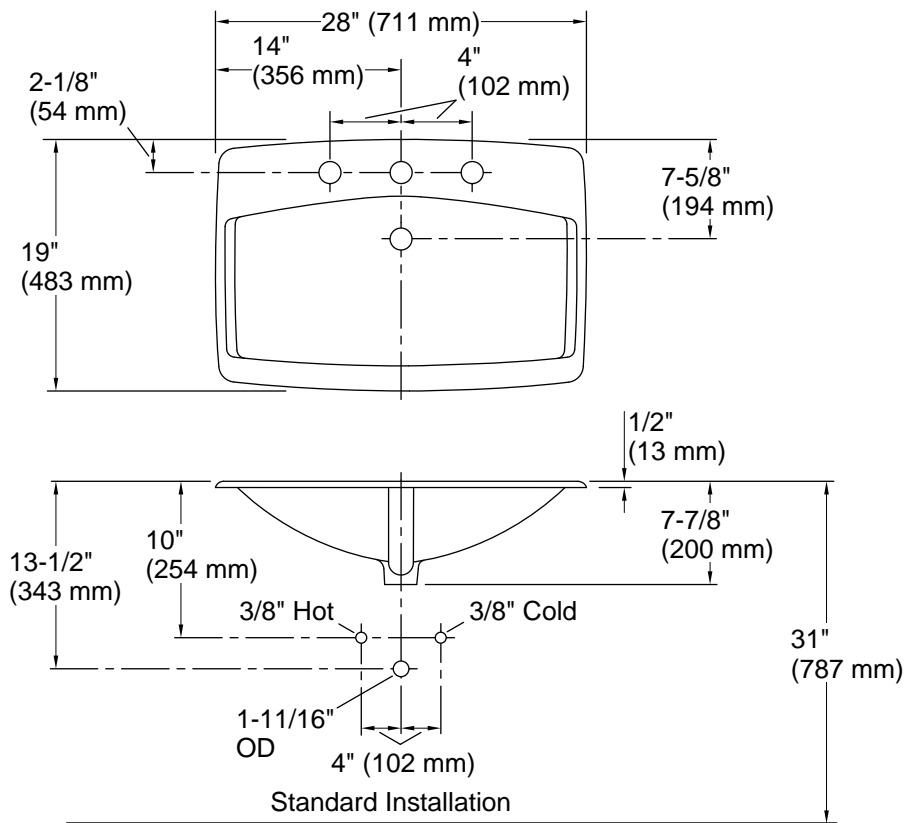
CSA B651

Codes/Standards

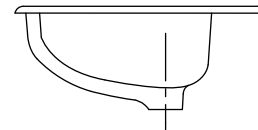
ASME A112.19.1/CSA B45.2
ADA
ICC/ANSI A117.1
CSA B651
IAPMO Certification

**KOHLER® Enameled Cast Iron
Kitchen and Bathroom Sink Lifetime
Limited Warranty**

See website for detailed warranty information.



Recommended ADA Installation



Technical Information

All product dimensions are nominal.

Basin configuration:	Single Bowl
Bowl area (Only):	Length: 24" (610 mm) Width: 13" (330 mm) Water depth: 4-1/4" (108 mm)
Number of deck holes:	3
Faucet hole(s):	2-3/8" (60 mm)
Drain hole:	1-3/4" (44 mm)
Template:	114408-7, required, included

Notes

Install this product according to the installation instructions.

ADA, CSA B651 compliant when installed to the specific requirements of these regulations.