



# Buckley® | K-28901

32-1/4" undermount single-bowl kitchen sink

## Features

- 36" (914 mm) minimum base cabinet width
- Single bowl
- 9" (229 mm) depth provides generous workspace
- Rounded corners are easy to clean.
- SilentShield® sound-absorption technology offers quieter performance
- Rear drain placement increases cabinet storage space underneath sink
- No faucet holes; requires wall- or counter-mount faucet
- Box includes: Sink, installation hardware
- Optional K-28904 silicone bowl mat (sold separately)



## Sustainability



## Available Colors/Finishes

*Color tiles intended for reference only.*

 NA Stainless Steel



1-800-4KOHLER (1-800-456-4537)  
Kohler Co. reserves the right to make revisions without notice to product specifications.  
For the most current specification sheet, go to [www.kohler.com](http://www.kohler.com) USA or [www.kohler.ca](http://www.kohler.ca) Canada.  
5-12-2026 20:1 - US-CA

THE BOLD LOOK  
OF **KOHLER**®

---

## Codes/Standards

ASME A112.19.3/CSA B45.4

---

## Technical Information

*All product dimensions are nominal.*

Drain Hole Diameter:	3-5/8" (92 mm)
Basin Configuration:	Single Bowl
Basin Length:	29-15/16" (761 mm)
Basin Width:	16-1/8" (410 mm)
Basin Depth:	9" (229 mm)

---

## Material

- Premium 18-gauge stainless steel
  - KOHLER stainless steel sinks resist corrosion and tarnishing
- 

## Recommended Products/Accessories

K-23729 Stainless steel cleaner

K-23726 Drain treatment

K-28904 Silicone sink mat

K-8799 Sink drain and strainer basket, less tailpiece

K-8801 Sink drain and strainer with tailpiece

K-28905 Bamboo cutting board

K-28906 Acacia cutting board

K-11352 Disposal flange with stopper

---

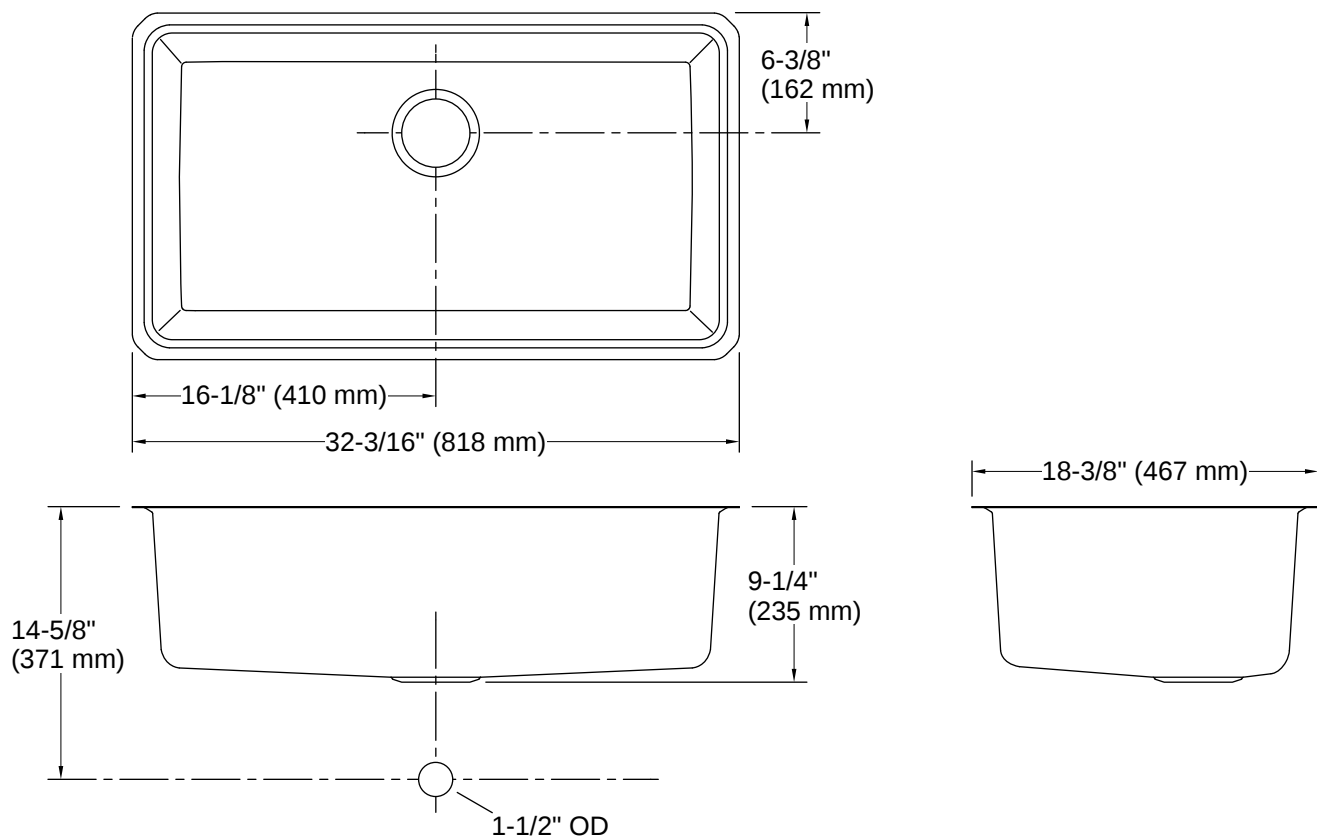
## Warranty

*See website for detailed warranty information.*

KOHLER® Stainless Steel Sinks Lifetime Limited Warranty



1-800-4KOHLER (1-800-456-4537)  
Kohler Co. reserves the right to make revisions without notice to product specifications.  
For the most current specification sheet, go to [www.kohler.com](http://www.kohler.com) USA or [www.kohler.ca](http://www.kohler.ca) Canada.  
5-12-2026 20:1 - US-CA



## Installation

- Undermount

## Installation Notes

*Install this product according to the installation instructions.*

