

Bentham® | K-28902-1AC

33" top-/undermount single-bowl kitchen sink with accessories

Features

- 36" (914 mm) minimum base cabinet width
- Single bowl
- 9" (229 mm) depth provides generous workspace
- Rounded corners are easy to clean
- Angled edge allows for easy sweeping of food or water from countertop to bowl
- SilentShield® sound-absorption technology offers quieter performance
- Rear drain placement increases cabinet storage space underneath sink
- Single faucet hole
- Durable bamboo cutting board
- Dish scraper functions as a versatile dish and ovenware cleaning tool
- Dishwasher-safe silicone sink mat helps protect the sink as well as fragile dishes
- Sink strainer keeps large items from passing into the drain
- Box includes: Sink, bamboo cutting board, silicone sink mat, dish scraper, strainer, cutout template, installation hardware



Sustainability



Available Colors/Finishes

Color tiles intended for reference only.

 NA Stainless Steel



Codes/Standards

ASME A112.19.3/CSA B45.4

Technical Information

All product dimensions are nominal.

Number of Deck Holes:	1
Drain Hole Diameter:	3-5/8" (92 mm)
Basin Configuration:	Single Bowl
Basin Length:	30" (761 mm)
Basin Width:	16-1/8" (410 mm)
Basin Depth:	9" (229 mm)

Material

- Premium 18-gauge stainless steel
 - KOHLER stainless steel sinks resist corrosion and tarnishing
-

Recommended Products/Accessories

K-23726 Drain treatment

K-23729 Stainless steel cleaner

K-9000 Adjustable P-trap with tubing outlet, 1-1/2" x 1-1/2"

K-8801 Sink drain and strainer with tailpiece

K-8799 Sink drain and strainer basket, less tailpiece

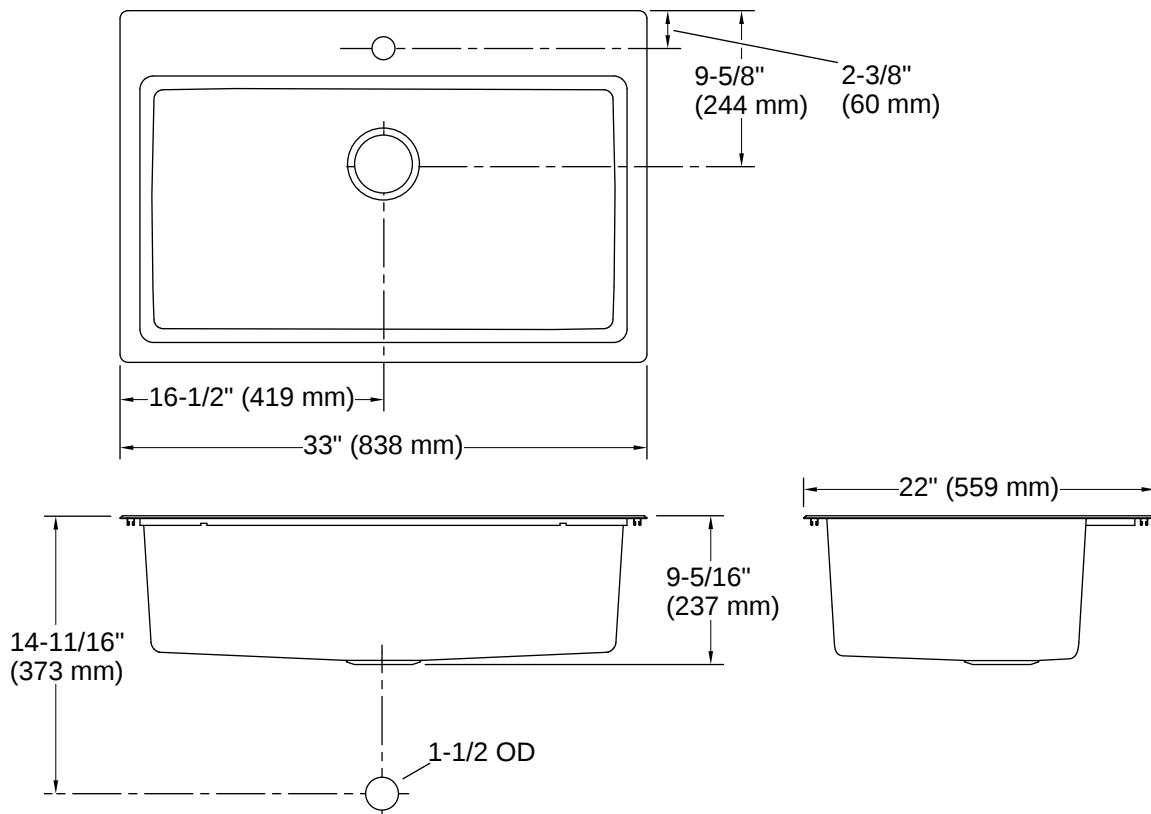
K-11352 Disposal flange with stopper

Warranty

See website for detailed warranty information.

KOHLER® Stainless Steel Sinks Lifetime Limited Warranty





Installation

- Top-mount or undermount

Installation Notes

Install this product according to the installation instructions.

