



# Ceramic/Impressions®

49" Vitreous china vanity top with integrated oval sink  
**K-2891-8**

## Features

- Integrated sink and vanity top
- 8" (203 mm) widespread faucet holes
- Oval basin
- Overflow drain
- Raised outer edge helps contain water and prevents items from rolling off the vanity top
- Dimensional colors

## Material

- Vitreous china

## Installation

- Vanity top

## Recommended Products/Accessories

- K-23726 Drain treatment
- K-23725 Cast iron cleaner

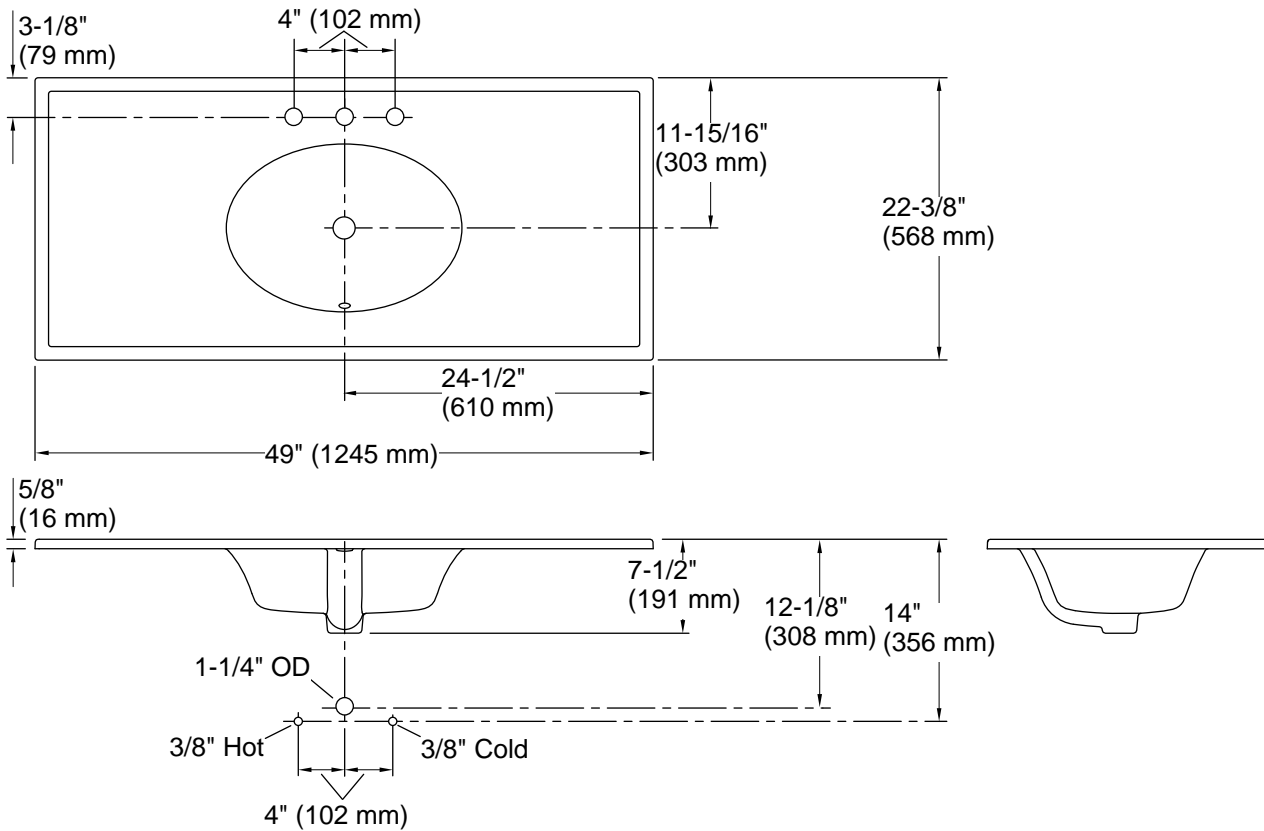


## Codes/Standards

- ASME A112.19.2/CSA B45.1
- IAPMO Certification

## KOHLER® One-Year Limited Warranty

See website for detailed warranty information.



### Technical Information

All product dimensions are nominal.

|                       |  |
|-----------------------|--|
| Basin configuration:  | Single Bowl  |
| Bowl area (Only):     | Length: 19" (483 mm)<br>Width: 13-3/8" (340 mm)<br>Bowl depth: 5-1/2" (140 mm)<br>Water depth: 4" (102 mm) |
| With overflow:        | Yes  |
| Number of deck holes: | 3  |
| Faucet hole(s):       | 1-3/8" (35 mm)   |
| Drain hole:           | 1-3/4" (44 mm)   |

### Notes

Install this product according to the installation instructions.

This sink is designed to be installed as an integrated vanity top to a KOHLER or standard vanity.