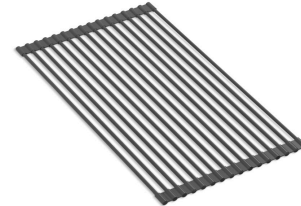


Features

- Included with KOHLER K-31465-2AC and K-31466-2AC kitchen sinks
- Provides a convenient shelf for drying, rinsing, and defrosting
- Heat-resistant to 500°F
- Holds up to 100 lb
- Dishwasher-safe
- Rolls up for convenient storage

Material

- Stainless steel rods wrapped in heavy-duty silicone



Codes/Standards

None Applicable

KOHLER® One-Year Limited Warranty

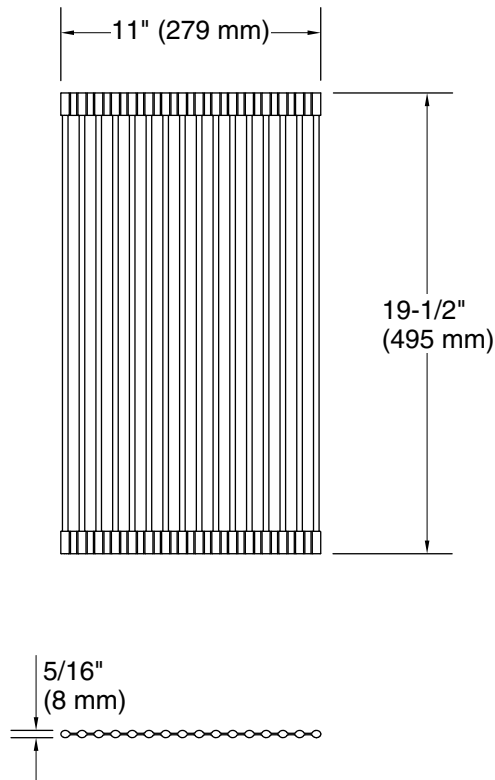
See website for detailed warranty information.

Available Colors/Finishes

Color tiles intended for reference only.

Color	Code	Description
-------	------	-------------

■	CHR	Charcoal
---	-----	----------



Technical Information

All product dimensions are nominal.

Material: Silicone, Stainless Steel