



Tahoe®
21" rectangular drop-in bathroom sink
K-2895-8

Features

- 8" (203 mm) widespread faucet holes
- Overflow drain

Material

- KOHLER® enameled cast iron

Installation

- Drop-in

Recommended Products/Accessories

- K-8998 P-Trap
- K-23726 Drain treatment
- K-23725 Cast iron cleaner



ADA **CSA B651**

Codes/Standards

ASME A112.19.1/CSA B45.2
ADA
ICC/ANSI A117.1
CSA B651
IAPMO Certification

**KOHLER® Enameled Cast Iron
Kitchen and Bathroom Sink Lifetime
Limited Warranty**

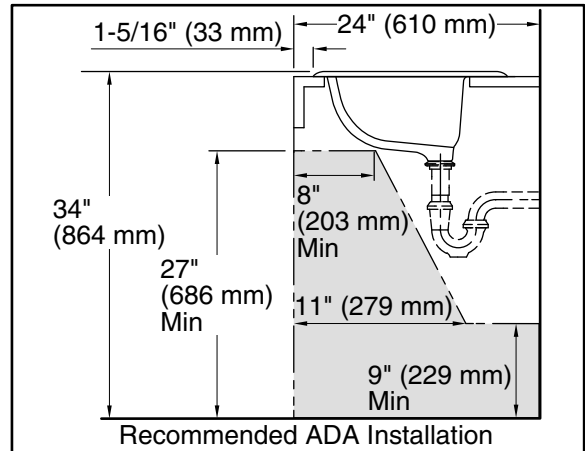
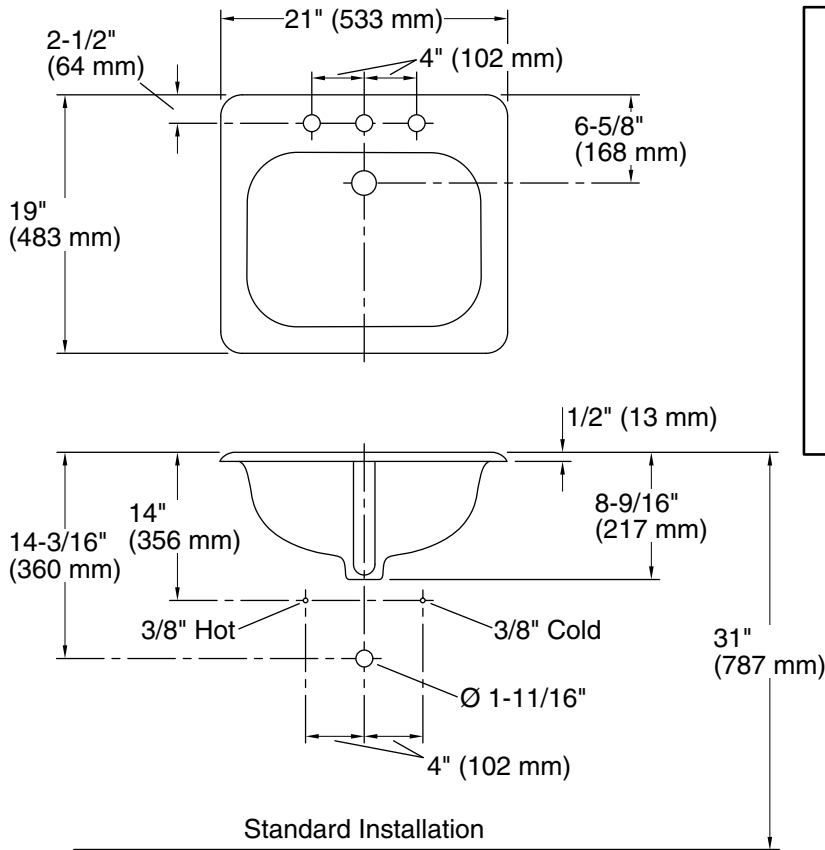
See website for detailed warranty information.

Available Colors/Finishes

Color tiles intended for reference only.

Color Code Description

	0	White
---	---	-------



Technical Information

All product dimensions are nominal.

Basin configuration:	Single Bowl
Center(s):	8" (203 mm)
Bowl area (Only):	Length: 16" (406 mm) Width: 12" (305 mm) Water depth: 5" (127 mm)
With overflow:	Yes
Number of deck holes:	3
Faucet hole(s):	1-3/4" (44 mm)
Drain hole:	1-11/16" (43 mm)
Template:	116586-7, required, included

Notes

Install this product according to the installation instructions.

ADA, CSA B651 compliant when installed to the specific requirements of these regulations.