



16-1/8" round undermount bathroom sink, no overflow
Caxton®
K-29000

Features

- Without overflow
- No faucet holes; requires wall- or counter-mount faucet

Material

- Vitreous china

Installation

- Undermount

Recommended Products/Accessories

- K-9018 P-Trap
- K-23726 Drain treatment
- K-23725 Cast iron cleaner

Included Components

- 1193643 Basin clamps



ADA **CSA B651**

Codes/Standards




- ASME A112.19.2/CSA B45.1
- ADA
- ICC/ANSI A117.1
- CSA B651
- IAPMO Certification

KOHLER® Vitreous China Bathroom Sink Lifetime Limited Warranty

See website for detailed warranty information.

Available Colors/Finishes

Color tiles intended for reference only.

Color	Code	Description
	0	White
	96	Biscuit
	7	Black Black™

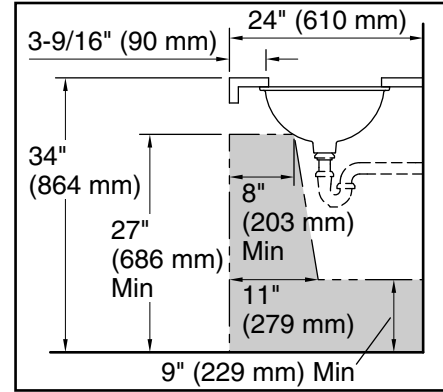
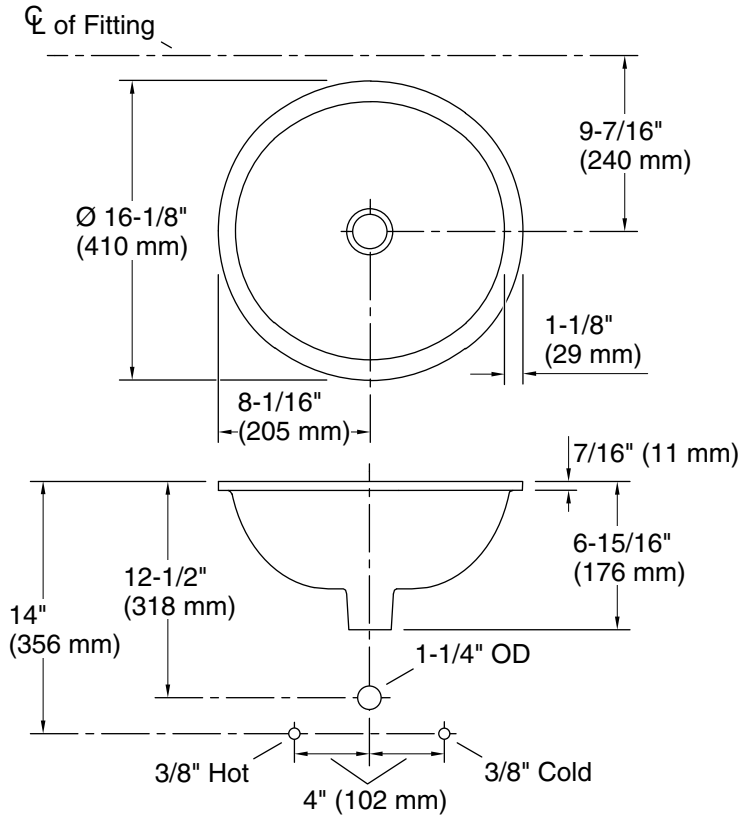
1-800-4KOHLER (1-800-456-4537)

Kohler Co. reserves the right to make revisions without notice to product specifications.

For the most current Specification Sheet, go to www.kohler.com USA or www.kohler.ca Canada

10-21-2024 22:57 - US/CA





Recommended ADA Installation

Technical Information

All product dimensions are nominal.

Basin configuration: Single Bowl

Bowl area (Only): Length: 13-13/16" (351 mm)
Width: 13-13/16" (351 mm)
Bowl depth: 5-1/16" (129 mm)
Water depth: 5" (127 mm)

Drain hole: 1-3/4" (44 mm)

Template: Undermount, 1035896-7, required, not included

Notes

Install this product according to the installation instructions.

NOTICE: Countertop manufacturer or cutter must use the current product template available at www.kohler.com or by calling 1-800-4KOHLER. Kohler Co. is not responsible for cutout errors when the incorrect cut-out template is used.

ADA, CSA B651 compliant when installed to the specific requirements of these regulations.