

Features

- Lid design conceals toilet seat to create a clean, sleek look
- Integrated lift tabs on both seat and lid edges offer a more hygienic solution for raising and lowering
- Grip-Tight installation hardware makes it easy to fasten the seat – everything is done from above the bowl
- Grip-Tight bumpers hold seat firmly in place
- ReadyLatch® hinge provides a positive lock/unlock latch to securely hold seat in position, yet seat easily removes for cleaning or adjusting fit
- Quiet-Close™ elongated lid and seat prevents slamming
- Contoured seat for user comfort
- Color-matched plastic hinges
- Fits most elongated toilets

Material

- Plastic construction



Codes/Standards

IAPMO/ANSI Z124.5

KOHLER® Toilets and Seats Limited Warranty

See website for detailed warranty information.

Available Colors/Finishes

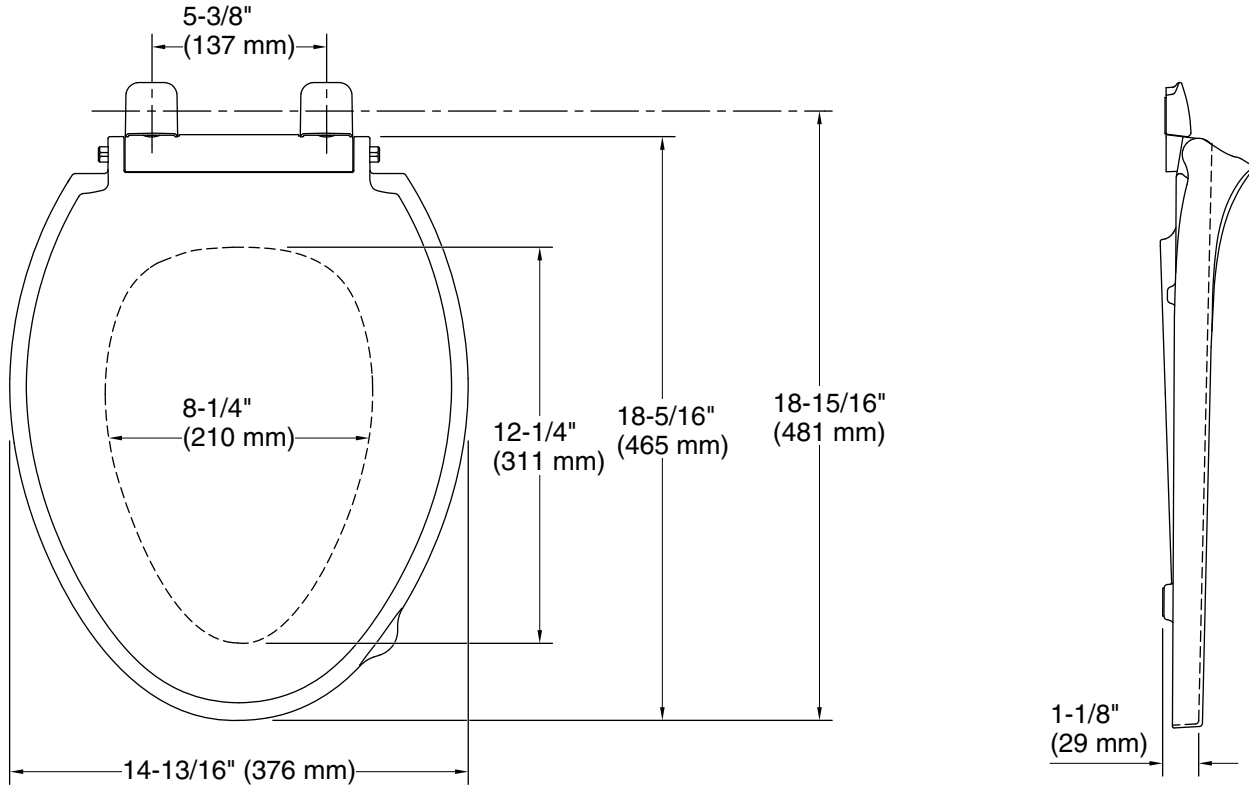
Color tiles intended for reference only.

Color	Code	Description
-------	------	-------------

	0	White
---	---	-------



Drift™ Tab
ReadyLatch® Quiet-Close™ elongated toilet seat
K-29030



Technical Information

All product dimensions are nominal.

- Seat shape type: Elongated
- Seat front type: Closed-front
- Seat-mounting holes: 5-7/16" (137 mm)