



**Farmington®**  
19-1/4" oval drop-in bathroom sink  
**K-2905-1**

**Features**

- Single faucet hole
- Oval basin
- Overflow drain

**Material**

- KOHLER® enameled cast iron

**Installation**

- Drop-in

**Recommended Products/Accessories**

- K-8998 P-Trap
- K-23726 Drain treatment
- K-23725 Cast iron cleaner



**ADA** **CSA B651** **OBC**

**Codes/Standards**




ASME A112.19.1/CSA B45.2  
All applicable US Federal and State material regulations  
ADA  
ICC/ANSI A117.1  
CSA B651  
OBC  
IAPMO Certification

**KOHLER® Enameled Cast Iron  
Kitchen and Bathroom Sink Lifetime  
Limited Warranty**

See website for detailed warranty information.

**Available Colors/Finishes**

*Color tiles intended for reference only.*

Color	Code	Description
	0	White
	96	Biscuit
	7	Black Black™

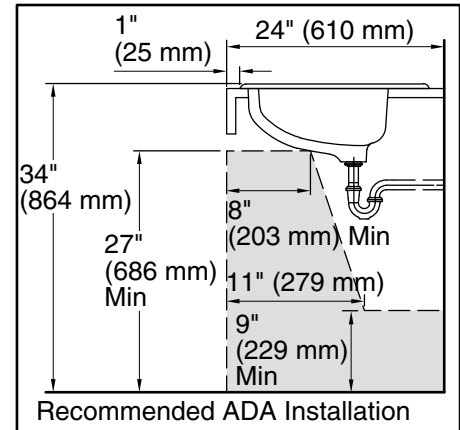
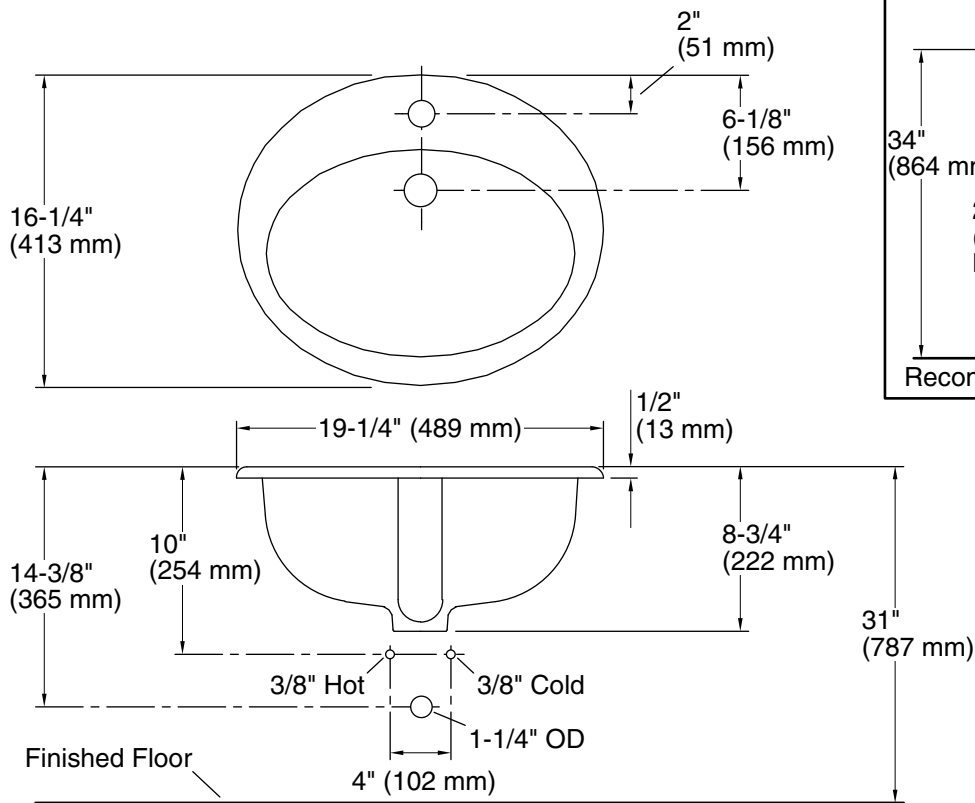
1-800-4KOHLER (1-800-456-4537)

Kohler Co. reserves the right to make revisions without notice to product specifications.

For the most current Specification Sheet, go to [www.kohler.com](http://www.kohler.com) USA or [www.kohler.ca](http://www.kohler.ca) Canada

10-3-2024 20:07 - US/CA

THE BOLD LOOK  
OF **KOHLER®**



### Technical Information

All product dimensions are nominal.

Bowl configuration:	Single Bowl
Bowl area:	Length: 16" (406 mm) Width: 11" (279 mm) Water depth: 5" (127 mm)
With overflow:	Yes
Number of deck holes:	1
Faucet hole(s):	1-3/8" (35 mm)
Drain hole:	1-11/16" (43 mm)
Template:	1002973-7, required, included

### Notes

Install this product according to the installation instructions.

**NOTICE:** Countertop manufacturer or cutter must use the current product template available at [www.kohler.com](http://www.kohler.com), or by calling 1-800-4KOHLER. Kohler Co. is not responsible for cutout errors when the incorrect cutout template is used.

ADA, OBC, CSA B651 compliant when installed to the specific requirements of these regulations.