



# Farmington®

19-1/4" oval drop-in bathroom sink  
**K-2905-8**

### Features

- 8" (203 mm) widespread faucet holes
- Oval basin
- Overflow drain

### Material

- KOHLER® enameled cast iron

### Installation

- Drop-in

### Recommended Products/Accessories

- K-23726 Drain treatment
- K-23725 Cast iron cleaner



ADA

CSA B651

OBC

### Codes/Standards

ASME A112.19.1/CSA B45.2

All applicable US Federal and State material regulations

ADA

ICC/ANSI A117.1

CSA B651

OBC

IAPMO Certification

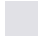


### KOHLER® Enameled Cast Iron Kitchen and Bathroom Sink Lifetime Limited Warranty

See website for detailed warranty information.

### Available Colors/Finishes

*Color tiles intended for reference only.*

| Color | Code | Description |
|-------|------|-------------|
|-------|------|-------------|

|   |    |              |
|---|----|--------------|
|  | 0  | White        |
|  | 96 | Biscuit      |
|  | 7  | Black Black™ |

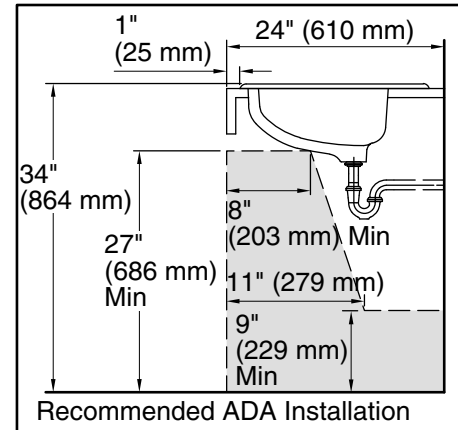
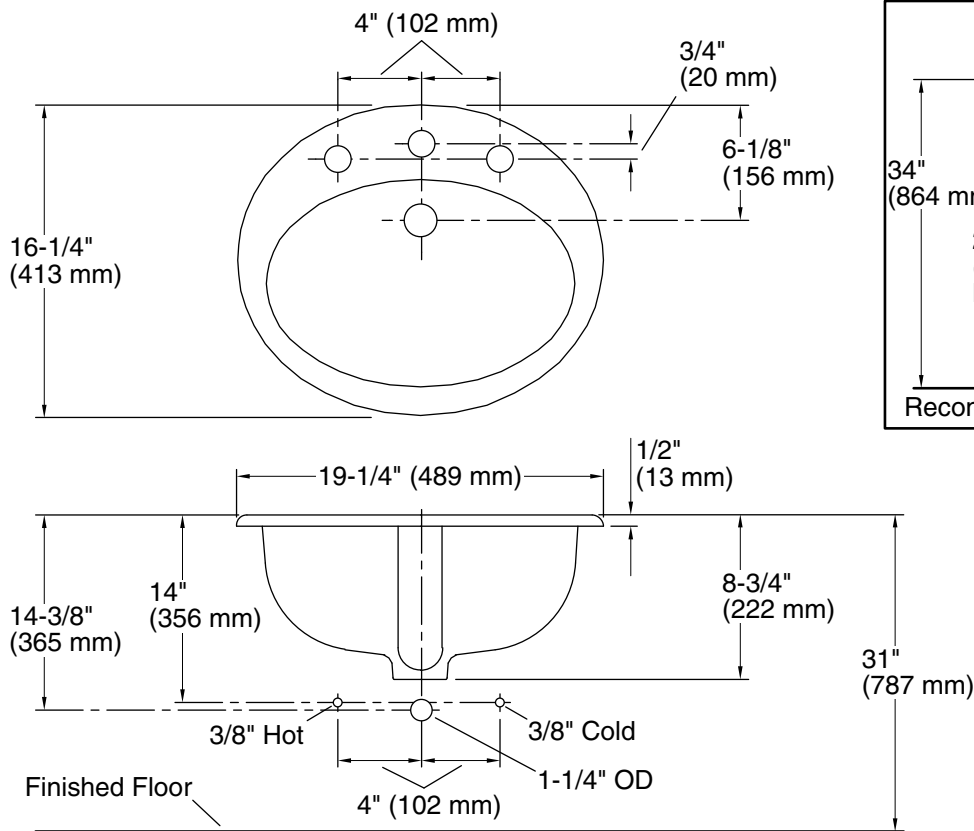
1-800-4KOHLER (1-800-456-4537)

Kohler Co. reserves the right to make revisions without notice to product specifications.

For the most current Specification Sheet, go to [www.kohler.com](http://www.kohler.com) USA or [www.kohler.ca](http://www.kohler.ca) Canada

11-3-2024 22:57 - US/CA

THE BOLD LOOK  
OF **KOHLER**®



### Technical Information

All product dimensions are nominal.

|                       |   |
|-----------------------|---|
| Basin configuration:  | Single Bowl   |
| Center(s):            | 8" (203 mm)   |
| Bowl area:            | Length: 16" (406 mm)<br>Width: 11" (279 mm)<br>Water depth: 5" (127 mm) |
| With overflow:        | Yes   |
| Number of deck holes: | 3   |
| Faucet hole(s):       | 1-3/8" (35 mm)  |
| Drain hole:           | 1-11/16" (43 mm)  |
| Template:             | 1002973-7, required, included   |

### Notes

Install this product according to the installation instructions.

**NOTICE:** Countertop manufacturer or cutter must use the current product template available at [www.kohler.com](http://www.kohler.com), or by calling 1-800-4KOHLER. Kohler Co. is not responsible for cutout errors when the incorrect cutout template is used.

ADA, OBC, CSA B651 compliant when installed to the specific requirements of these regulations.