

Features

- Touchless on/off with a wave of your hand or an object such as a pan
- Response® technology uses a state-of-the-art motion sensor for reliable touchless activation
- LED light indicates Response® is ready to use
- AC-powered operation—no batteries to replace
- Three-function pull-down sprayhead with touch-control allows you to switch between stream, Sweep® spray and Boost technology
- Sweep® spray is a wide, powerful blade of water that sweeps your dishes and sink clean.
- Boost technology increases the flow rate by 30% with the press of a button. Use Boost with stream for faster filling or with Sweep® spray for more powerful cleaning
- DockNetik® secure docking system locks sprayhead into place when not in use
- ProMotion® technology's light, quiet braided hose and swiveling ball joint make the pull-down sprayhead easier and more comfortable to use
- MasterClean™ sprayface features an easy-to-clean surface that withstands mineral buildup and maximizes spray performance
- High-arch spout offers vertical clearance for tall cookware and pitchers
- Single lever handle makes adjusting water temperature easy with one hand
- Handle rotates 90° forward to prevent contact with backsplash
- Temperature memory allows faucet to be turned on and off at the temperature set during prior usage
- KOHLER® ceramic disc valves exceed industry longevity standards for a lifetime of durable performance
- 1.5 gpm (5.7 lpm) maximum flow rate at 60 psi (4.14 bar)

Material

- Premium metal construction for durability and reliability
- KOHLER® finishes resist corrosion and tarnishing

Installation

- Requires nonswitched undercounter outlet
- Single-hole or three-hole installation (escutcheon plate included)
- Flexible supply lines simplify installation

Adapters, Rough-in and Extension Kits

1012715 Range: 1-3/8" (34 mm) -
3-3/8" (85 mm)



ADA **CSA B651**

Codes/Standards



ASME A112.18.1/CSA B125.1
NSF/ANSI/CAN 61
NSF/ANSI/CAN 372
All applicable US Federal and State material regulations
DOE - Energy Policy Act 1992
California Energy Commission (CEC)
ADA
ICC/ANSI A117.1
CSA B651
IAPMO Certification

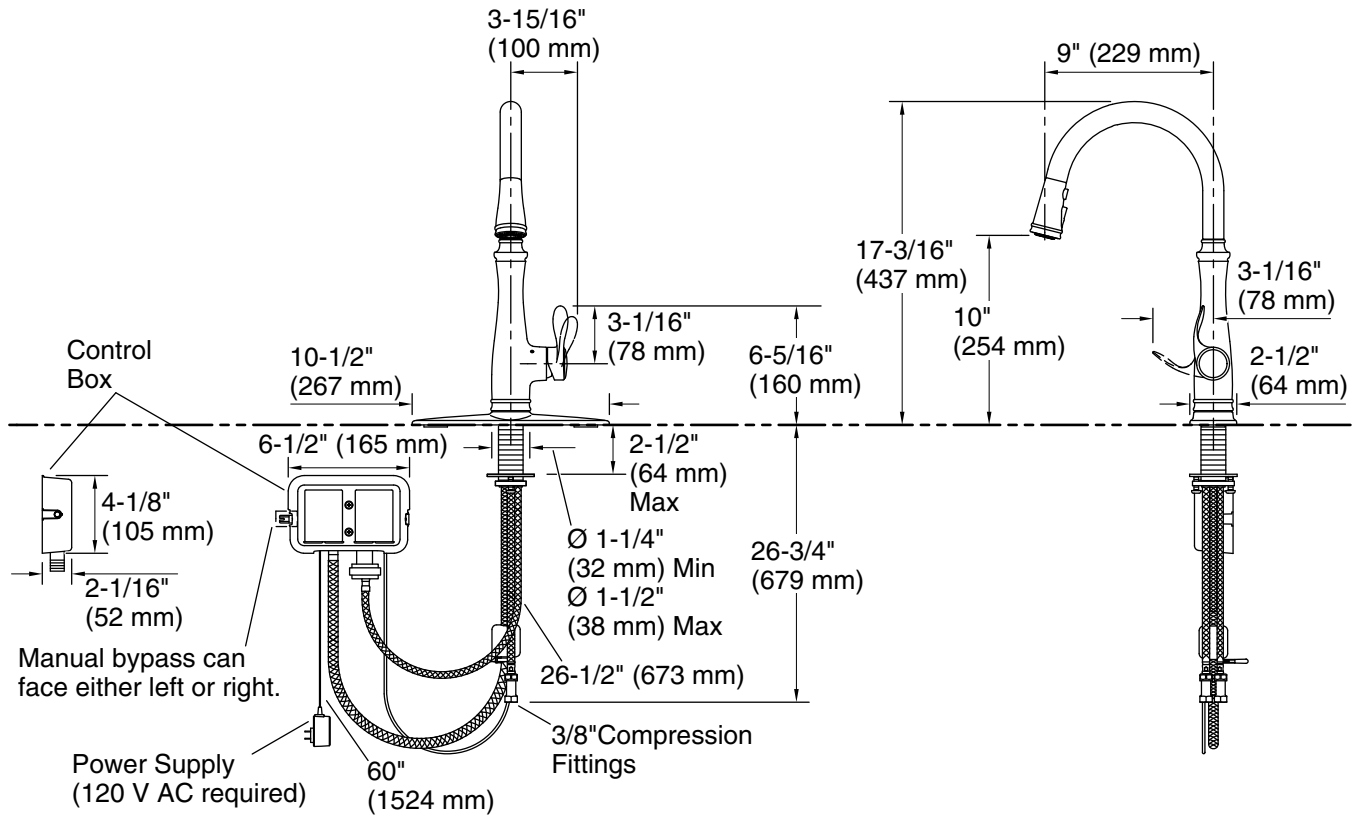
**KOHLER® Faucet Lifetime Limited
Warranty KOHLER® Electronic
Faucets, Valves, and Controls Five-
Year Limited Warranty**

See website for detailed warranty information.

Available Colors/Finishes

Color tiles intended for reference only.

Color	Code	Description
	CP	Polished Chrome
	VS	Vibrant® Stainless



Required Electrical Service

One dedicated circuit required.
120 V, 0.15 A, 60 Hz

Technical Information

All product dimensions are nominal.
Power source: Plug - AC, included
Faucet:
Flow rate: 1.5 gal/min (5.7 l/min)
Drain included: No
Spout:
Spout reach: 9" (228 mm)
Handshower:
Rated maximum flow: 0 gal/min (0 l/min)

Notes

Install this product according to the installation instructions.
REQUIRED: Unswitched power outlet (120 V AC) located below the sink and within 5' (1.5 m) of the control box. (Garbage disposals typically use switched outlets and are not recommended.)
ADA compliant for faucet handles only.
ADA compliant for faucet handles only
ADA, CSA B651 compliant when installed to the specific requirements of these regulations.