

#### Features

- 2-9/16" (65 mm) fully glazed trapway
- Round-front bowl offers an ideal solution for smaller bathrooms and powder rooms
- Wall-hung design allows bowl to be set at preferred height
- Bowl can be mounted anywhere between 390 – 520 mm (15.35 – 20.5 inches) from floor to bowl rim, depending on in-wall tank used
- Skirted trapway simplifies cleaning
- Ergonomic side pockets allow for easy installation while pocket covers maintain a cohesive aesthetic
- Flow regulator smooths water flow for splash control
- Quiet-Close™ functionality to prevent seat from slamming
- Quick-Attach™ hardware for fast and secure installation
- Quick-Release™ functionality allows seat to be removed easily from toilet for convenient cleaning
- Grip-Tight bumpers hold seat firmly in place
- Bowl and seat only; requires in-wall tank (K-26353IN-M, K-26353IN-P, K-26352IN-M, K-26352IN-P, or K-26351IN-M), outlet connector (K-1527926), flush valve (K-31538IN), M12 bolts (K-1213309), and dual-flush faceplate, each sold separately
- Coordinates with other products in the APT™ collection



#### Codes/Standards

None Applicable

#### KOHLER® India Faucet, Sanitaryware and Bathing Products Limited Warranty

See website for detailed warranty information.

#### Material

- Plastic seat

#### Installation

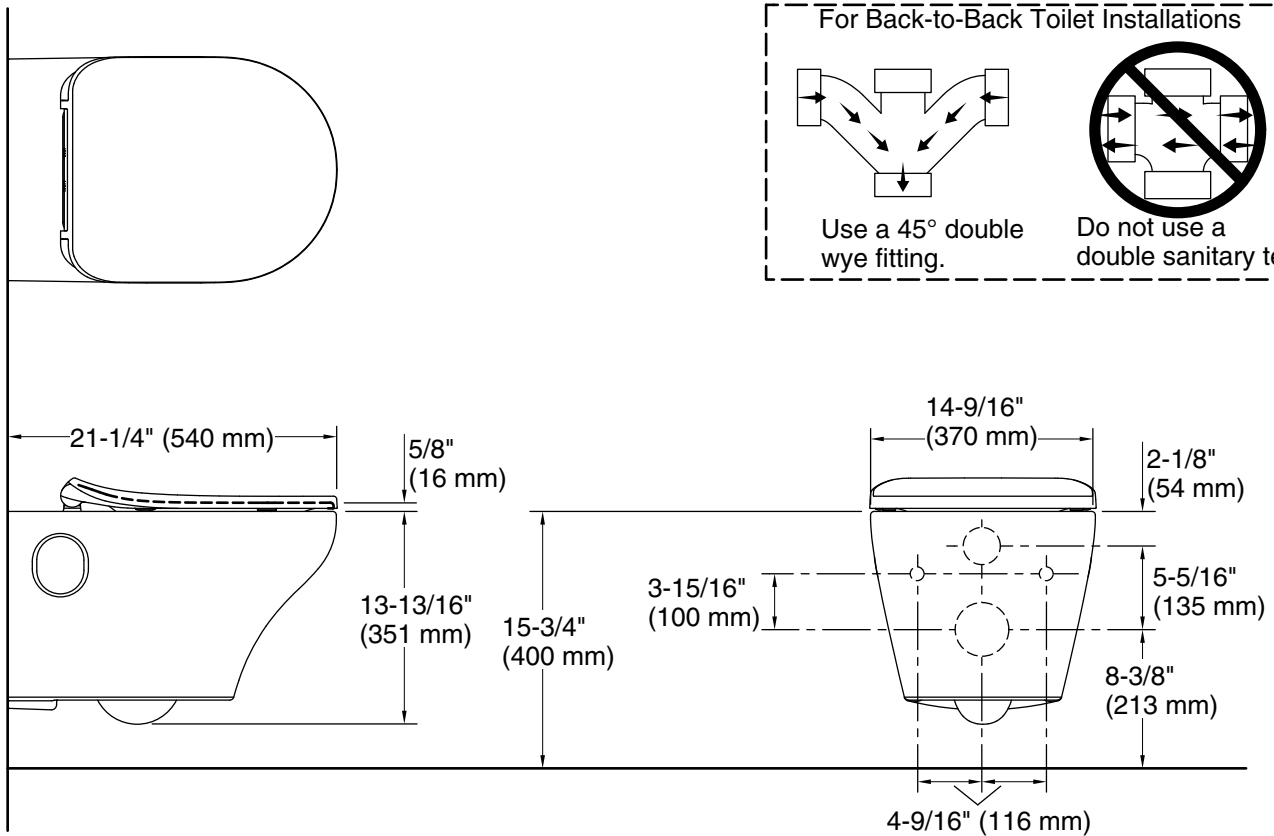
- Wall-hung
- Supply line sold separately

#### Recommended Products/Accessories

- K-33926IN-M In-wall tank without frame
- K-33926IN-P In-wall tank without frame
- K-33929IN-M In-wall tank with half frame
- K-33929IN-P In-wall tank with half frame
- K-33931IN-M In-wall tank with frame
- K-33931IN-P In-wall tank with frame

#### Included Components

- K-29277IN APT™ Quiet-Close™ round-front toilet seat
- K-29278IN Wall-hung round-front toilet bowl with skirted trapway



### Technical Information

All product dimensions are nominal.

Toilet type:	Wall-hung
Waste Outlet:	Wall
Flush type:	Mechanical, Pneumatic, Tankless line pressure
Trap passageway:	2-9/16" (65 mm)
Water surface size:	5-1/8" x 4-1/16" (130 mm x 103 mm)
Rim to water surface:	8-3/4" (222 mm)

### Notes

Install this product according to the installation instructions.