

Features

- Acts as an auxiliary control for DTV Mode® two-outlet digital showering system
- Provides simple on/off actuation of shower outlets
- Sleek, minimalist design

Installation

- Wall-mount
- Intended for outside of showering space



Required Products/Accessories

K-528-PM Two-port digital thermostatic valve

or

K-29200 Wall-mount bath filler digital interface
K-528-PM Two-port digital thermostatic valve

or

K-29201 Wall-mount bath/shower digital interface
K-528-PM Two-port digital thermostatic valve

or

K-29202 Dual-outlet shower digital interface
K-528-PM Two-port digital thermostatic valve

or

K-29204 Deck-mount bath filler digital interface
K-528-PM Two-port digital thermostatic valve

or

K-29205 Deck-mount bath/shower digital interface
K-528-PM Two-port digital thermostatic valve

Recommended Products/Accessories

K-23723 Faucet cleaner

Codes/Standards



UL 1951
CSA C22.2 No. 14
CSA C22.2 No. 68
cUL Listed
UL Listed

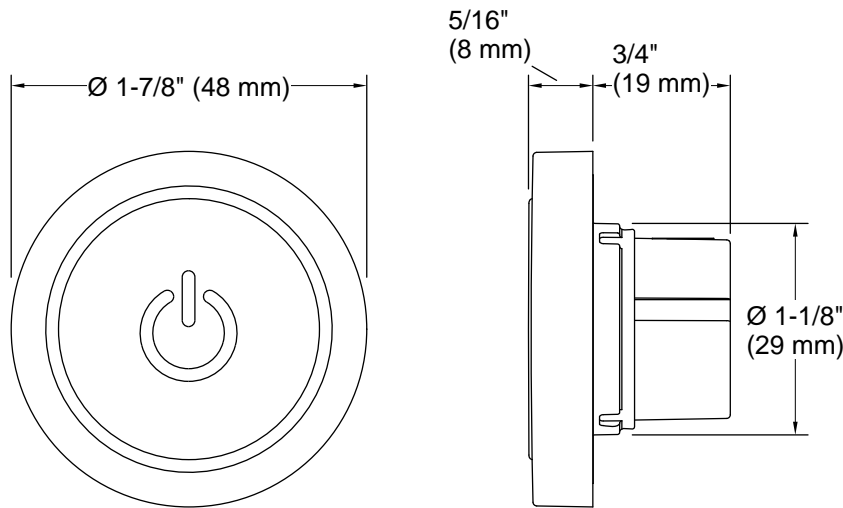
KOHLER® Electronic Faucets, Valves, and Controls Five-Year Limited Warranty

See website for detailed warranty information.

Available Colors/Finishes

Color tiles intended for reference only.

Color	Code	Description
	CP	Polished Chrome
	BL	Matte Black



Technical Information

All product dimensions are nominal.

Drain included: No

Spout:

Handshower:

Rated maximum flow: 0 gal/min (0 l/min)

Max. Ambient temp: 104°F (40°C)

Min. Operating temp: 86°F (30°C)

Max. Operating temp: 120°F (48.9°C)

Max. Relative humidity condensing: 100%

Notes

Install this product according to the installation instructions.