

BEFORE YOU BEGIN

安装之前

- Please read these instructions carefully to familiarize yourself with the required tools, materials, and installation sequences. Follow the sections that pertain to your particular installation. This will help you avoid costly mistakes. In addition to proper installation, read all operating and safety instructions.
 - All information in these instructions is based upon the latest product information available at the time of publication. Kohler China reserves the right to make changes in product characteristics, packaging, or availability at any time without notice.
 - Please ensure the electric work is finished before starting to install the furniture. Electrical appliance must be installed by professional personnel.
 - Make sure the finished wall is concrete and load-bearing. Besides, it must be straight and plumb.
 - Remove any moldings that may inhibit the vanity from being flush against the finished wall.
 - HARKEN mirrored cabinet adopts top grade walnut solid wood, walnut bark, birch veneer and E1 grade MDF. Its harmful gas emission is less than 1.5mg/L.
 - Turn off the water supply.
 - The plumbing installation must comply with Water Supply Regulations/Bye-laws, Building Regulations or any particular regulations and practices, specified by the local water company or water undertakers. The installation should be carried out by a plumber.
 - Before installation carefully inspect the new fixture for any signs of damage.
 - This product complies with GB 24977-2010.
- 请仔细阅读本指引，以便熟悉所需工具、物料及安装程序。请遵照适用的章节来安装本产品，以免安装失当导致不必要的损失。除了有关正确的安装方法之外，还务请详阅所有操作及安全指引。
 - 本指引所载之一切资料，均以印刷时所有之最新产品情况为基础，科勒中国保留权利随时更改产品特性、包装或供应情况，恕不另行通知。
 - 安装家具之前，请先确认所有必需的电气工作均已完成。电气设备只能由专业人员来安装。
 - 确保安装墙体是实体可承重墙，同时安装墙面是垂直平面。
 - 清除所有障碍物，使柜体与紧靠墙面平齐。
 - 茜卡系列浴室镜柜选用优质胡桃木实木、胡桃木皮、桦木皮贴面和E1级优质密度板等精心加工而成，其有害气体排放量小于1.5mg/L。
 - 关闭供水。
 - 管道安装必须遵循当地所有给排水、建筑或者其他的特别规定。管道安装人员必须具备相应资格。
 - 安装之前，仔细检查新产品是否有损伤。
 - 本产品符合GB 24977-2010。

ORDERING INFORMATION

订购信息

This installation covers the following products in the HARKEN range:
HARKEN Mirrored Cabinet (Left Hinge)K-29255T-L

此安装说明书适用于以下茜卡系列家具的安装：
茜卡镜柜(左开门).....K-29255T-L

SAFETY WARNINGS

安全警告

Kohler products are precision-engineered and should give continued superior and safe performance, provided:

科勒产品经过精确制造，性能卓越，经久耐用。为保证产品品质，您必须：

1. They are installed, commissioned, operated and maintained in accordance with the recommendations given in this Manual.
2. Periodic attention is given, as necessary, to maintain the product in good functional order. Recommended guidelines are given in the **MAINTENANCE** section.

1. 按照此手册中推荐的方法进行安装、起动、操作及维护。
2. 如有需要，定期检查，令产品保持良好性能状态。日常维护章节中列有推荐方法。

Carefully inspect the new fixture for any signs of damage.

仔细检查新产品是否有损伤。

When installing Kohler products, manufacturer's guidelines for power tool safety should be followed.

在安装科勒产品时，必须遵循制造商相关电动工具的安全的指令。

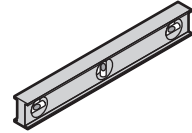
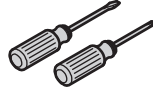
KOHLER CHINA INVESTMENT CO., LTD NO.158, JIANG CHANG SAN ROAD,
JING'AN DISTRICT, SHANGHAI, PRC POST CODE: 200436
科勒(中国)投资有限公司 上海市静安区江场三路158号 邮编：200436

TOOLS AND MATERIALS

- Pencil
- Measuring Tape
- Level
- Safety Glasses
- Drill
- Screwdrivers

工具及材料

- 铅笔
- 卷尺
- 水平尺
- 安全眼镜
- 手枪钻
- 螺丝刀

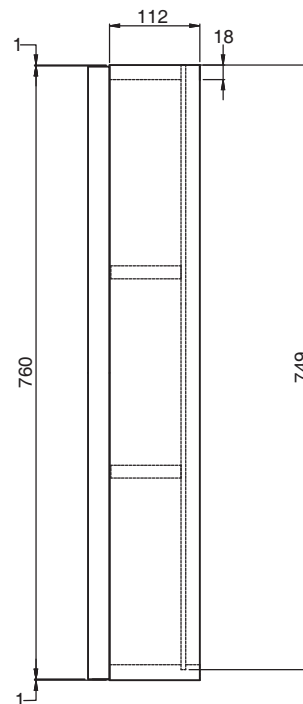
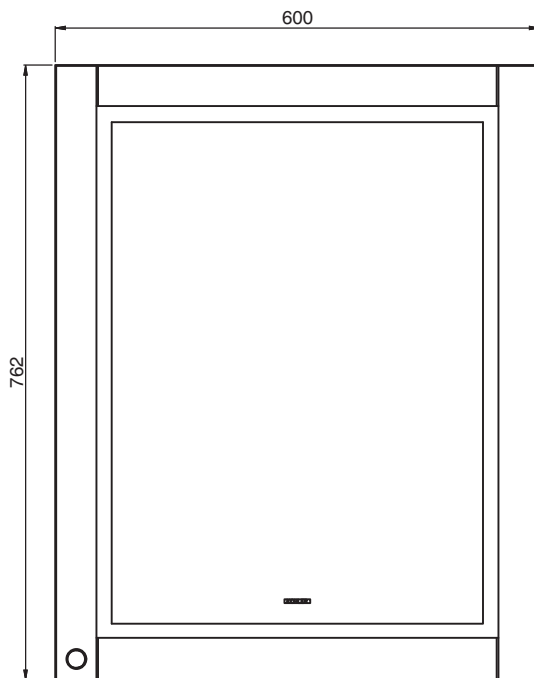
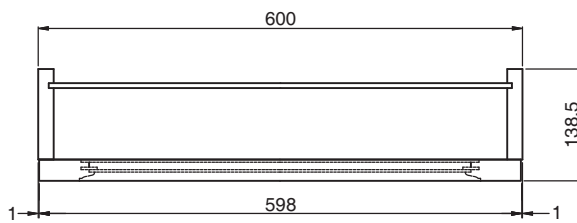


ROUGHING-IN

尺寸图

Reference Value
参考值

UNIT : mm
单位: 毫米



Kohler reserves the right to change marked dimensions without prior notice.
科勒公司保留随时变更图中标示尺寸的权利，无需另行通知。

INSTALLATION

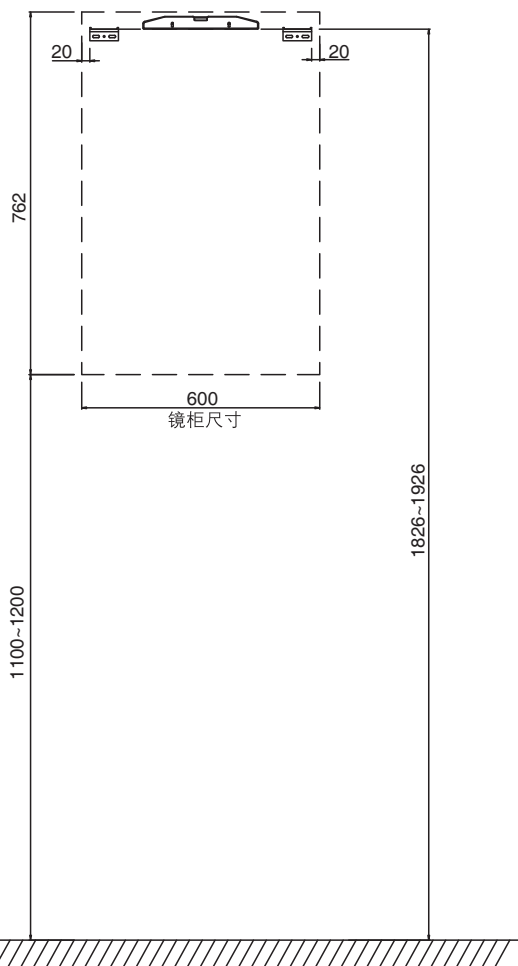
安装

1. Secure the Mirrored Cabinet

WARNING: Risk of property damage. The mirrored cabinet is heavy. Obtain sufficient help to lift or move it. It is suggested to remove the door panel before hanging the mirrored cabinet. If not, please make sure to press the door panel firmly when lifting it. Otherwise, the door panel may open by itself, which may affect installation or cause damage.

- Decide on the location of the mirrored cabinet.
- Mark the positions of the wall hanging brackets on the wall according to the dimensions given.

CAUTION! Make sure that you avoid hidden cables and pipes when you drill holes in the wall.



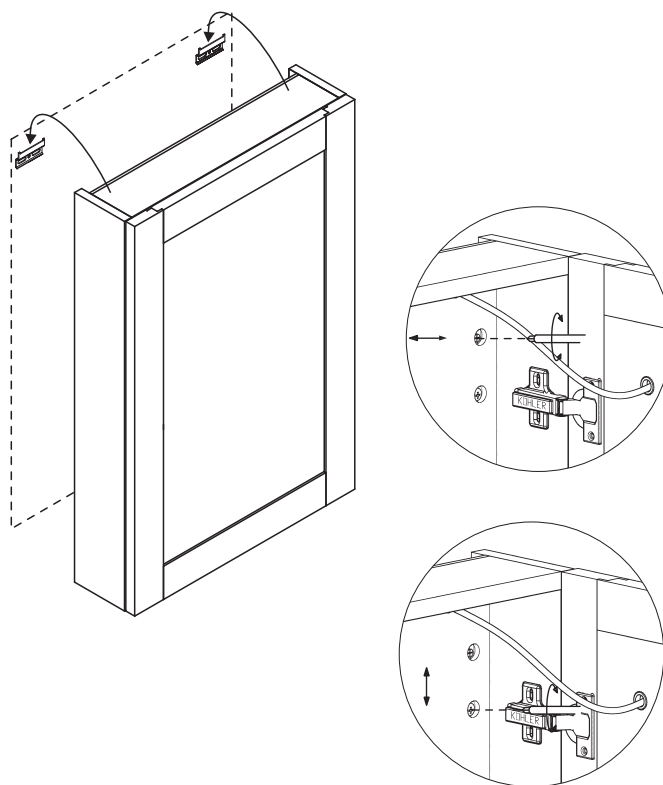
- Using a suitable drill, drill the holes for the wall hanging brackets. Secure the brackets to the wall with the appropriate wall plugs and screws.
- Please check with leveling ruler to ensure that the wall hanging bracket is level.
- Place the mirror cabinet on the wall, hanging it over the brackets on the wall.
- Level the cabinet by adjusting the adjustment screws. The top screw adjusts the cabinet horizontally, and the bottom screw adjusts it vertically.
- Use a spirit level to ensure the cabinet is level.

1. 安装镜柜

警告：存在产品损失风险！ 镜柜较重，请小心轻放，并寻求他人帮助。为安全起见，建议在吊挂镜柜前先将门板卸下，如未卸下门板，托举时请勿必压住镜门以免镜门打开影响安装或造成损伤。

- 确定镜柜的安装位置。
- 根据所示尺寸，在墙上标出挂墙式托架的位置。

小心！ 在墙上钻孔时请务必小心避开内设的缆线和管道。



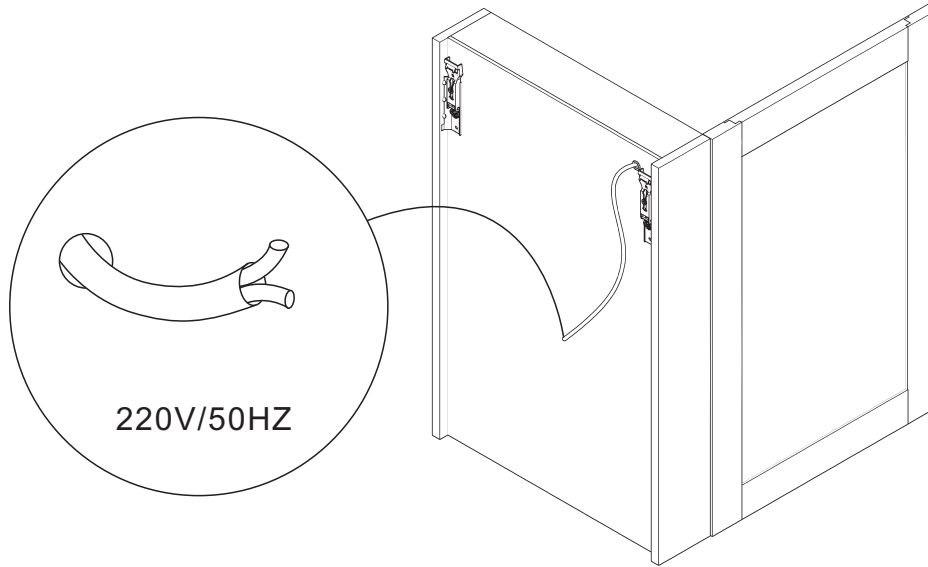
- 使用合适的电钻在墙上钻出挂墙式托架的安装孔。适用相应的墙面插塞和螺丝将托架固定在墙上。
- 使用水平尺检查，确保墙式托架水平。
- 将镜柜挂上托架，安装在墙上。
- 转动调节螺钉，使镜柜保持水平。上部的螺钉前后调节镜柜，下部螺钉则上下调节。
- 使用水平仪检验，确保镜柜水平。

2. Installation of Anti-Fog Film

CAUTION! To avoid electric shock, please ask the professional electrician to connect the cables. Please obey the local electricity regulations.

CAUTION! To avoid electric shock, please power off before cable connection.

- Please connect the wires before hanging the mirrored cabinet if the position for wire connection is behind it.



2. 防雾膜功能的安装

警告! 小心触电。 请找合格的电工来进行所有的电路连接, 请遵循当地电力规则。

警告! 小心触电。 进行电路连接之前, 请切断电源。

- 如接线位置在镜柜背后, 请在挂起镜柜前接好线路。

3. Door Adjustments

Adjustment

- Refer to the illustration and note the screwdriver location for the desired adjustment.

Removal

- Apply a small amount of leverage to the door with one hand to keep the door in the full open position.
- Press the clip to release the hinge from its bracket.
- Move the door forward to slide the hinges off the brackets.

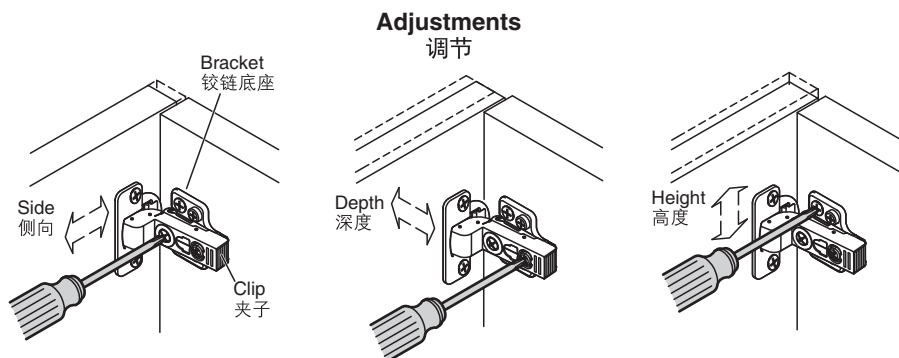
3. 门的调节

调节

- 如图所示, 请在铰链各处正确使用螺丝刀, 将门板调节到所需位置。

拆除

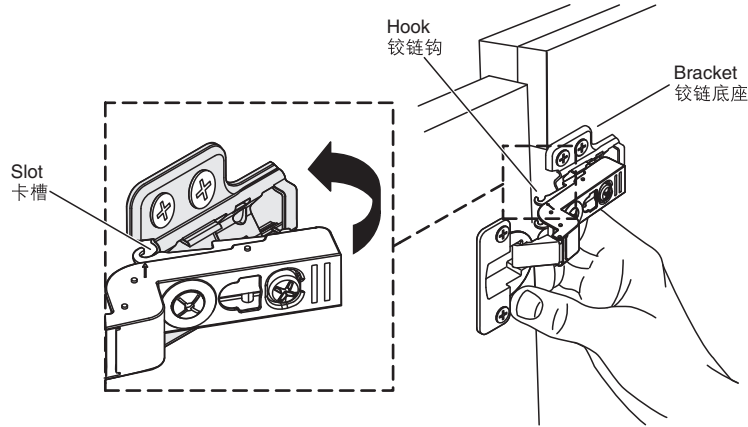
- 用一只手顶住门板, 使其处于完全开启的位置。
- 按压夹子, 使铰链脱离铰链底座。
- 将门板向前移动, 将铰链滑离铰链底座。



4. Door Reinstallation

NOTE: To ease installation, get assistance supporting the door.

- Align the hinge hooks with the slot of the top bracket.
- Slide the hinge onto the top bracket.
- Clip the hinge onto the bracket to secure.
- Repeat for the lower hinge.



4. 门板重装

注意：为使安装更为简便，请在支撑门板时寻求他人帮助。

- 将铰链钩与顶部铰链底座的卡槽对齐。
- 将铰链滑入顶部铰链底座。
- 将铰链扣紧。
- 重复相同步骤，安装下部铰链。

USER MAINTENANCE

⚠ WARNING! Risk of product damage.

1. Many cleansers contain abrasive and chemical substance which is not suitable for cleaning stainless steel, enamel, plating or plastic products. You may use mild cleansers or soaps to clean the surfaces. Wipe any splashes of cleaner solutions from the surface with clean soft cloth.
2. Maintain ventilation in the bathroom, and separate the dry area from the damp one if conditions permit. Try to open the door and windows of the bathroom and maintain good ventilation.
3. Kohler bathroom cabinet are dealt with strict procedures for damp-proof, whose good damp-proof function ensures good performance even in bathroom of huge humidity. Yet do not splash and pour water directly on the bathroom cabinet. Make sure that the bathroom is not over damp and wipe any splashes from surfaces immediately.
4. Maintenance of door board: Clean and wipe door board regularly, and wipe the condensation vapor with dry and soft cloth.
5. Ensure that electrical connections for appliances such as head lamp is insulated; wipe mirror surface with chamois regularly to guarantee the persistent excellent performance.
6. Please do not sit, lean or step on the cabinet.
7. If any fixtures caused by abnormal reasons, Kohler China can supply paid replacement for service parts caused by abnormal reasons in the limited duration of warranty.

日常维护

⚠ 警告！小心产品受损。

1. 许多清洁剂都含有研磨剂及化学物质，不可用于清洁不锈钢、搪瓷、镀层或塑料制品。这些表面须使用温和的清洁剂或皂液进行清洁，将残余洗涤剂洗干净，然后用干净的软布擦干。
2. 卫生间请保持良好的通风状态，有条件的可以干、湿分离，平常尽量保持浴室空气畅通，养成开窗开门的习惯。
3. 科勒浴柜都经过严格的防潮处理，其良好的防潮性能可以保证在相对湿度很大的浴室里有良好的使用性，但使用时仍然不可以随意任浴柜被水浇、溅。所以请避免卫生间过于潮湿，遇有水迹要及时擦干。
4. 门板的保养：经常定期清洁、擦拭，洗浴后的冷凝水蒸气应用干燥的软干布擦净，保持门板的干爽。
5. 照明灯电器连接要确保绝缘、防潮；镜面最好用麂皮经常擦拭，可以保障使用质量经久如一。
6. 请勿坐、倚靠、踩踏在浴柜上。
7. 科勒公司确保在担保期内，可以提供因非正常原因造成的零件的有偿更换。