



Reckon™
3/4 hp garbage disposal
K-29361

Features

- 3/4 hp heavy-duty induction motor powerfully grinds tough food waste
- 26 oz grind chamber
- Single-stage grind
- Continuous feed lets you add scraps as you go
- Removable sink baffle dampens motor sound
- Compact design saves valuable cabinet space
- Box includes: Disposal, stainless steel stopper, removable baffle, discharge tube kit, power cord kit, self-service wrench, mounting hardware

Material

- Durable stainless steel construction

Installation

- Requires power cord kit or hard-wired power connection
- Under-sink

Recommended Products/Accessories

K-11352 Disposal Flange with Stopper



Codes/Standards

ASSE 1008
UL 430

KOHLER® Garbage Disposer Limited Warranty

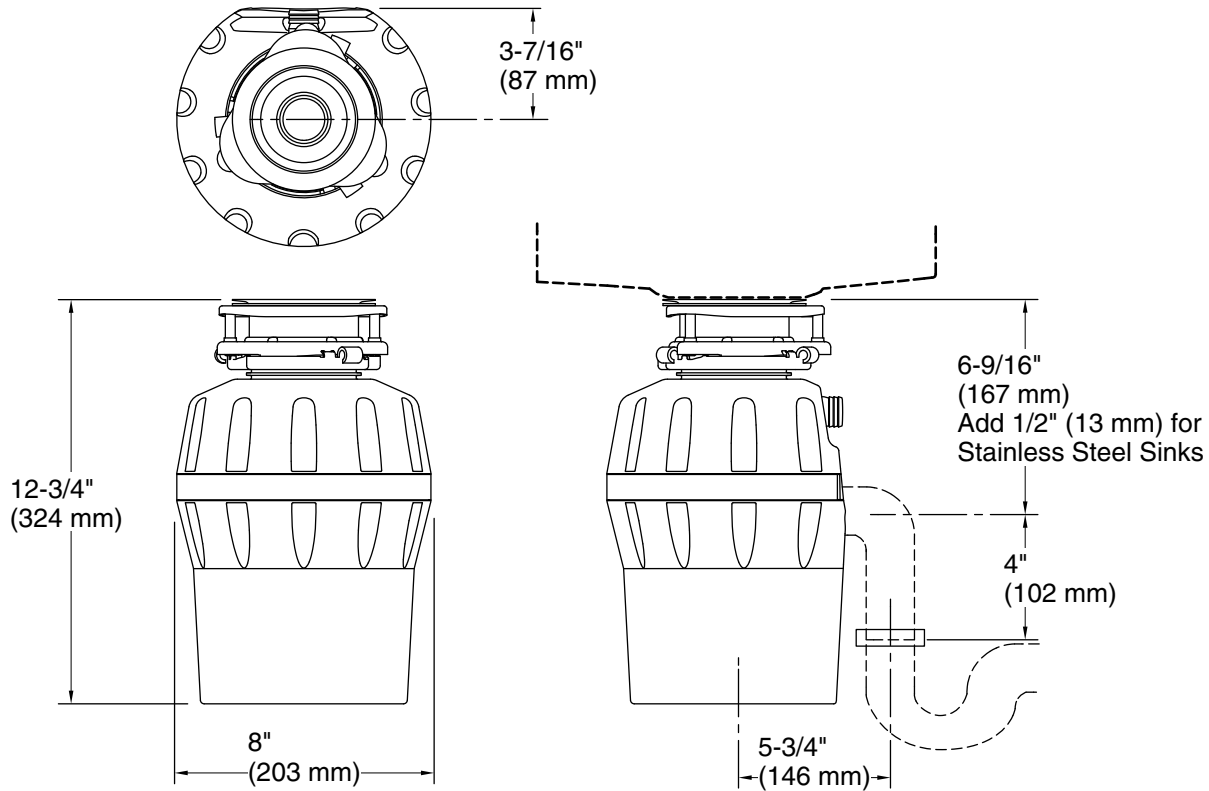
See website for detailed warranty information.

Available Colors/Finishes

Color tiles intended for reference only.

Color Code Description

■	CHR	Charcoal
---	-----	----------



Required Electrical Service

One circuit required.

Motor: 120 V, 9.5 A, 60 Hz

Technical Information

All product dimensions are nominal.

Material: Plastic, Stainless Steel

Electrical component Motor: 60 Hz
rating:

Notes

Install this product according to the installation instructions.