



Sartorial™ Herringbone Caxton®

20" rectangular undermount vessel bathroom sink
K-29471-HD1

Features

- Decorated with a textural Herringbone design on White background
- Deep rectangular basin
- No faucet holes; requires wall- or counter-mount faucet

Material

- Vitreous china

Installation

- Undermount

Recommended Products/Accessories

K-9018 P-Trap

Included Components

1193643 Basin clamps



ADA

CSA B651

Codes/Standards

ASME A112.19.2/CSA B45.1

ADA

ICC/ANSI A117.1

CSA B651

IAPMO Certification

KOHLER® Vitreous China Bathroom Sink Lifetime Limited Warranty

See website for detailed warranty information.

Available Colors/Finishes

Color tiles intended for reference only.

Color	Code	Description
-------	------	-------------



0

White

1-800-4KOHLER (1-800-456-4537)

Kohler Co. reserves the right to make revisions without notice to product specifications.

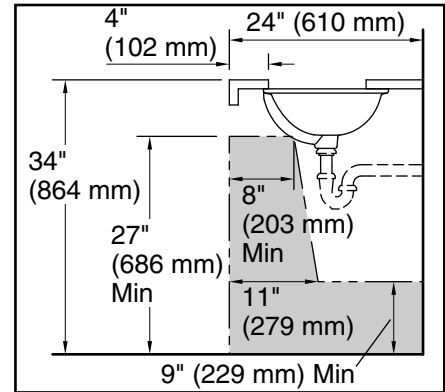
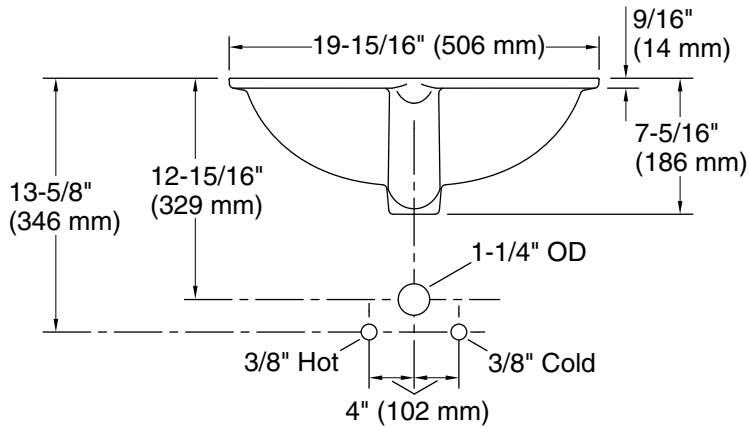
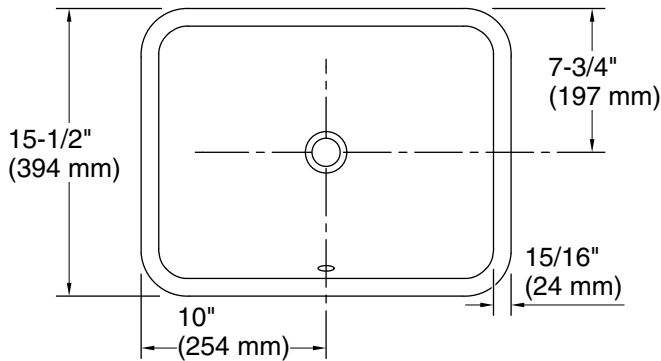
For the most current Specification Sheet, go to www.kohler.com USA or www.kohler.ca Canada

10-21-2024 23:19 - US/CA

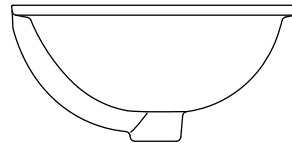
THE BOLD LOOK
OF **KOHLER**®



Sartorial™ Herringbone Caxton®
 20" rectangular undermount vessel bathroom sink
K-29471-HD1



Recommended ADA Installation



Technical Information

All product dimensions are nominal.

- Basin configuration: Single Bowl
- Bowl area (Only): Length: 17-3/16" (437 mm)
 Width: 13" (330 mm)
 Bowl depth: 5-3/16" (132 mm)
- With overflow: Yes

Notes

Install this product according to the installation instructions.

NOTICE: Countertop manufacturer or cutter must use the cut-out template provided with the product, or a current one provided by Kohler Co. (call 1-800-4-KOHLER). Kohler Co. is not responsible for cutout errors when the incorrect cut-out template is used.

ADA, CSA B651 compliant when installed to the specific requirements of these regulations.