



# Sartorial™ Herringbone Caxton®

20" rectangular undermount bathroom sink  
K-29471-HD2

## Features

- Decorated with a textural Herringbone design on Black Black background
- Deep rectangular basin
- No faucet holes; requires wall- or counter-mount faucet

## Material

- Vitreous china

## Installation

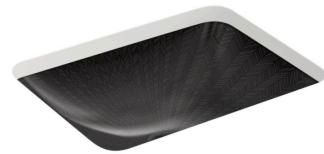
- Undermount

## Recommended Products/Accessories

K-9018 P-Trap

## Included Components

1193643 Basin clamps



ADA

CSA B651

## Codes/Standards

ASME A112.19.2/CSA B45.1

ADA

ICC/ANSI A117.1

CSA B651

IAPMO Certification

## KOHLER® Vitreous China Bathroom Sink Lifetime Limited Warranty

See website for detailed warranty information.

## Available Colors/Finishes

*Color tiles intended for reference only.*

Color	Code	Description
-------	------	-------------



7

Black Black™

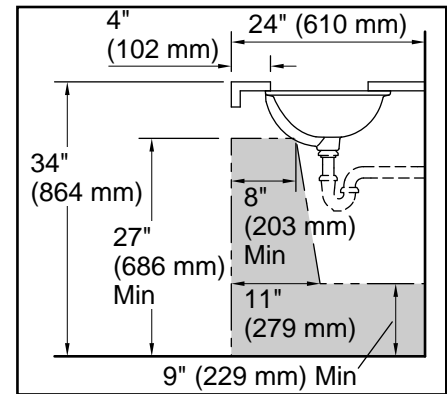
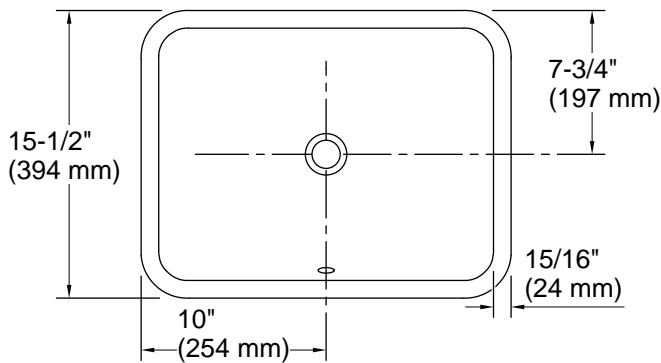
1-800-4KOHLER (1-800-456-4537)

Kohler Co. reserves the right to make revisions without notice to product specifications.

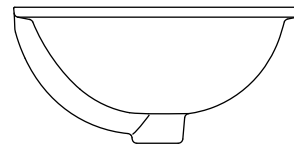
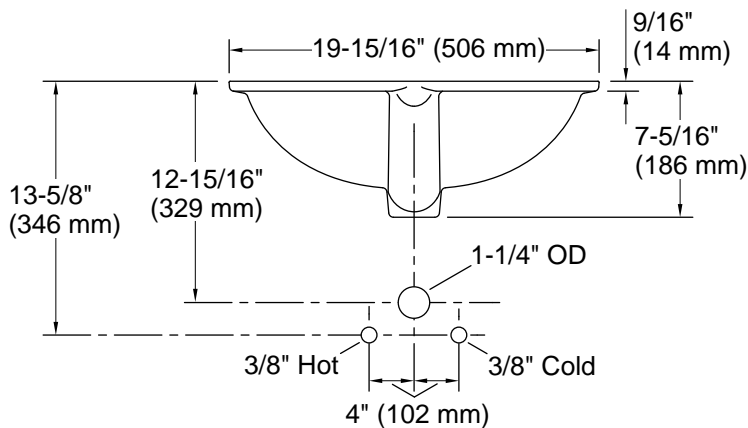
For the most current Specification Sheet, go to [www.kohler.com](http://www.kohler.com) USA or [www.kohler.ca](http://www.kohler.ca) Canada

12-17-2024 01:31 - US/CA

THE BOLD LOOK  
OF **KOHLER**®



**Recommended ADA Installation**



### Technical Information

All product dimensions are nominal.

- Basin configuration: Single Bowl
- Bowl area (Only): Length: 17-5/16" (440 mm)  
Width: 13" (330 mm)  
Bowl depth: 5-5/16" (135 mm)
- With overflow: Yes

### Notes

Install this product according to the installation instructions.

**NOTICE:** Countertop manufacturer or cutter must use the cut-out template provided with the product, or a current one provided by Kohler Co. (call 1-800-4-KOHLER). Kohler Co. is not responsible for cutout errors when the incorrect cut-out template is used.

ADA, CSA B651 compliant when installed to the specific requirements of these regulations.