

Features

- High-flow thermostatic mixing valve
- Thermostatic technology automatically maintains outlet temperature during water pressure fluctuations and/or inlet water temperature changes
- Single-handle temperature control
- 10.9 gpm flow rate at 45 psi (3.1 bar)
- 1/2" (12 mm) female NPT inlet connections
- One 1/2 female NPT outlet connection
- Service stops with integral filters
- Antiscald protection
- Adjustable comfort setting (preset at approximately 104°F)
- Integrated adjustable high-temperature limit stop to control maximum water temperature
- Requires volume control valve trim (sold separately)
- Requires thermostatic trim (sold separately)

Material

- Forged dezincification-resistant brass body provides long term reliability and resistance to aggressive water conditions
- Advanced materials selected for resistance to seizing or attack from aggressive water conditions
- Brass

Installation

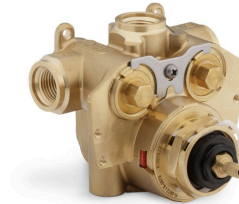
- Fully-serviceable from the front of the valve
- Cartridge is reversible for installations where hot and cold supplies are reversed
- Requires K-9663 twin ell (sold separately) when using a diverter spout

Required Products/Accessories

K-2974-K 1/2" volume control valve

or

K-9663



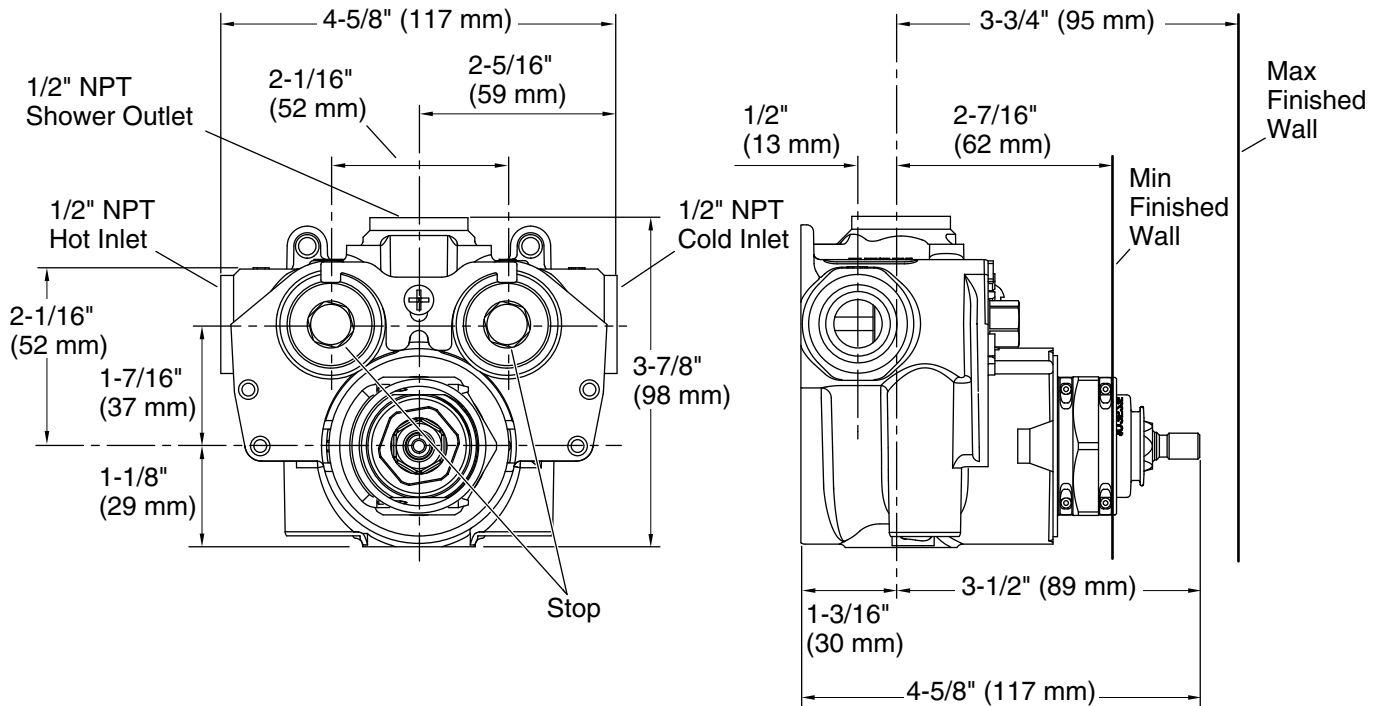
Codes/Standards

ASME A112.18.1/CSA B125.1

ASSE 1016/ASME A112.1016/CSA B125.16

KOHLER® Faucet Lifetime Limited Warranty

See website for detailed warranty information.



Technical Information

All product dimensions are nominal.

Spout:

Notes

Install this product according to the installation guide.

For bath-only installations, valve may be installed upside down.