



**Tresham®**  
Vanity-top Bathroom Sink  
**K-2979-4**

**Features**

- 4" (102 mm) centerset faucet holes
- Rectangular basin
- Overflow drain

**Material**

- Vitreous china

**Installation**

- Vanity top

**Recommended Products/Accessories**

- K-8998 P-Trap
- K-23726 Drain treatment
- K-23725 Cast iron cleaner

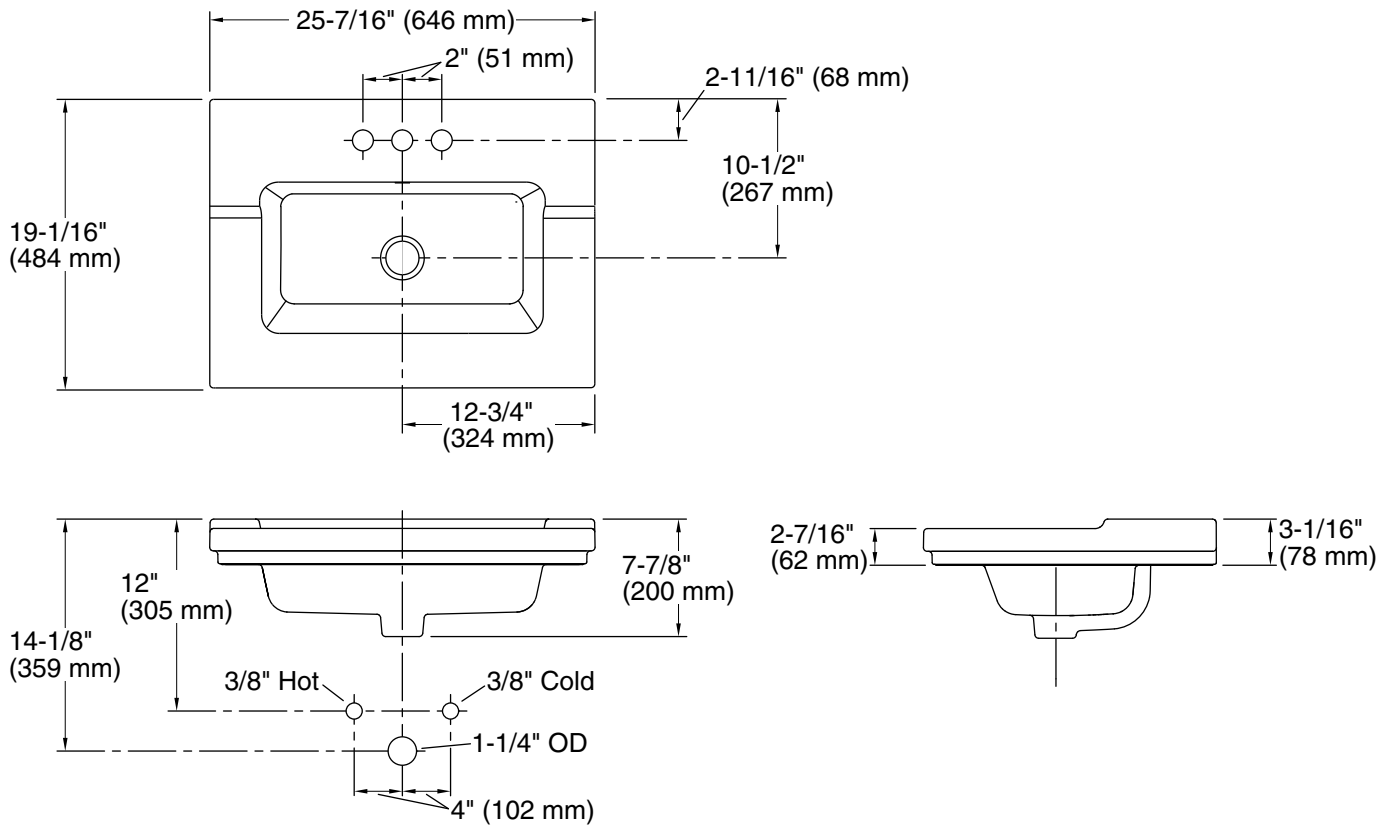


**Codes/Standards**

ASME A112.19.2/CSA B45.1  
IAPMO Certification

**KOHLER® Vitreous China Bathroom Sink Lifetime Limited Warranty**

See website for detailed warranty information.



## Technical Information

All product dimensions are nominal.

Basin configuration:	Single Bowl
Center(s):	4" (102 mm)
Bowl area (Only):	Length: 19-1/16" (484 mm) Width: 10-1/2" (267 mm) Water depth: 5-1/4" (133 mm)
Number of deck holes:	3
Faucet hole(s):	1-1/4" (32 mm)
Drain hole:	1-3/4" (44 mm)
Template:	1162722-7, required, included

## Notes

Install this product according to the installation instructions.

**NOTICE:** Countertop manufacturer or cutter must use the cut-out template provided with the product, or a current one provided by Kohler (call 1-800-4KOHLER). Kohler is not responsible for cutout errors when incorrect cut-out template is used.

When installing a pop-up drain to this bathroom sink, it may be necessary to bend the drain linkage to allow proper reach to the faucet lift rod.

**NOTE:** This bathroom sink is also designed for installation to the K-2604 vanity or with any other 24" (610 mm) x 18" (457 mm) vanity.