

## Features

- High-flow valve ensures optimal water flow performance
- Quarter-turn ceramic disc valves exceed industry longevity standards, ensuring durable performance for life
- 15.0 to 17.0 gpm (gallons per minute) flow rate
- For use with bath- or deck-mount faucets
- Requires valve trim (sold separately)

## Material

- Brass valve bodies



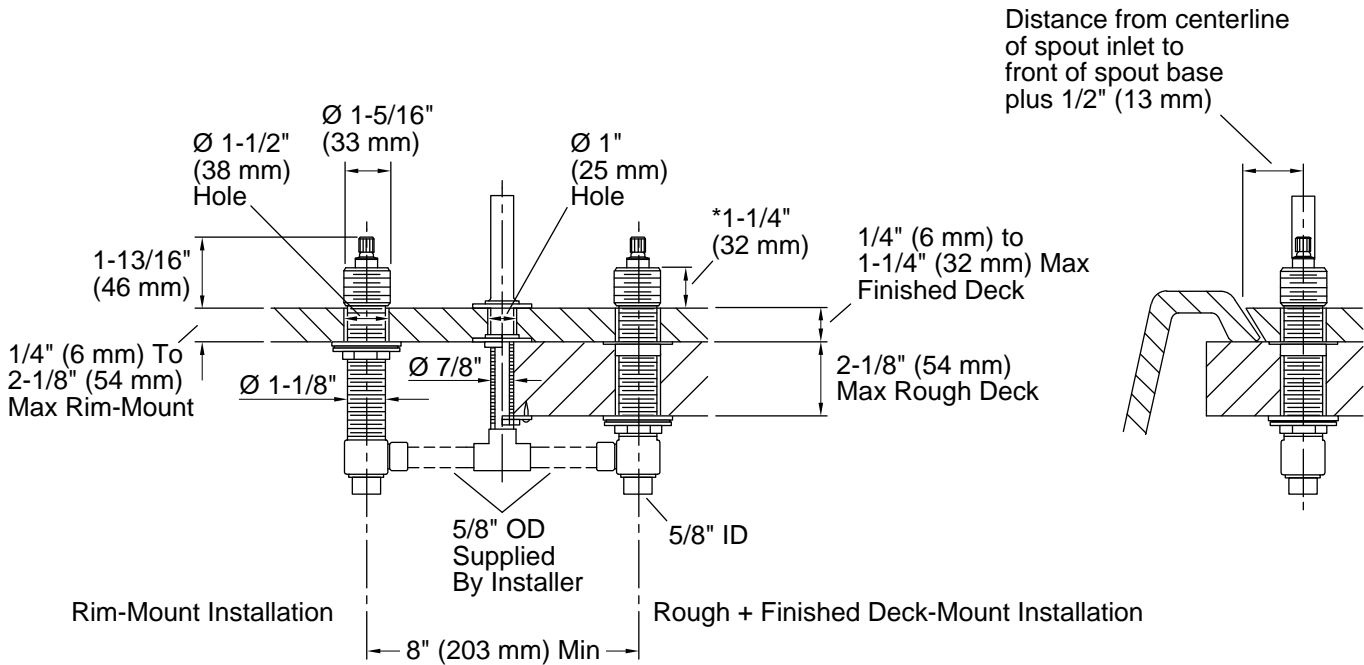
## Codes/Standards

ASME A112.18.1/CSA B125.1  
IAPMO Certification

## KOHLER® Faucet Lifetime Limited Warranty

See website for detailed warranty information.

\*Dimension allows  $\pm 1/4"$  (6 mm) handle adjustment during handle trim installation.



### Technical Information

All product dimensions are nominal.

#### Handshower:

Rated maximum flow: 0 gal/min (0 l/min)