

Features

- 1/2" (12.7 mm) quarter-turn washerless ceramic disc valves
- 8.4 gpm (31.8 lpm) flow rate
- For use with 8" (200 mm) widespread, two-handle wall-mount faucets
- Requires valve trim (sold separately)

Material

- Brass valve bodies

Installation

- Wall-mount
- For 8" (203 mm) centers

Optional Products/Accessories

- 56374 Elongated Escutcheons
- 56373 Deep Rough-in Kit

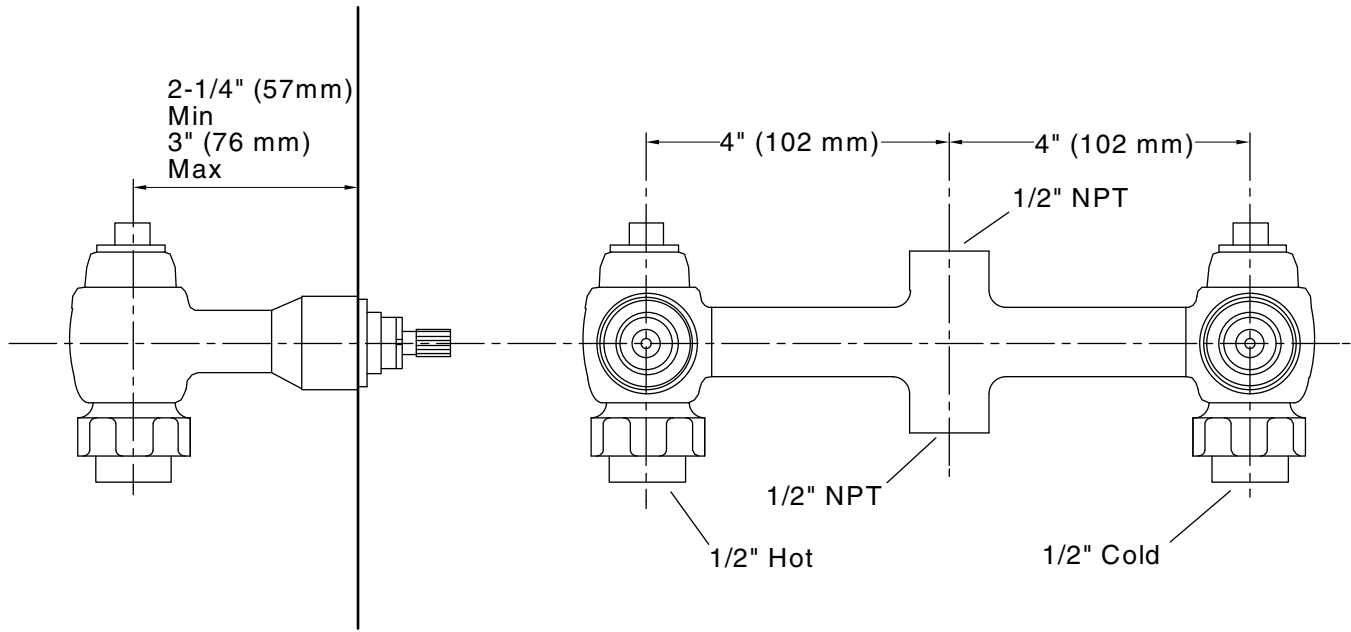


Codes/Standards

- ASME A112.18.1/CSA B125.1
- IAPMO Certification

KOHLER® Faucet Lifetime Limited Warranty

See website for detailed warranty information.



Technical Information

All product dimensions are nominal.

Shower Valve:

Flow Rate (Max) @ 45 psi	12 gal/min (45.4 l/min)
Manufacturer's minimum rated flow:	11 gal/min (41.6 l/min)
Pressure:	45 psi (3.1 bar)
Maximum (Static) Pressure:	125 psi (8.6 bar)
Minimum (Operating) Pressure:	20 psi (1.4 bar)

Handshower:

Rated maximum flow:	0 gal/min (0 l/min)
---------------------	---------------------