



# Dutchmaster Midnight Floral™ Carillon®

17-3/4" round drop-in bathroom sink, no overflow  
K-30333-DM2

## Features

- Decorated with a dramatic floral pattern on black background
- Produced in collaboration with artist-photographer Ashley Woodson Bailey (AWB™)
- Round basin with subtle lift at edges
- Wading pool design accommodates a wide variety of faucets
- No faucet holes; requires wall- or counter-mount faucet

## Material

- Vitreous china

## Installation

- Drop-in

## Recommended Products/Accessories

- K-23726 Drain treatment
- K-23725 Cast iron cleaner



ADA

CSA B651

## Codes/Standards

ASME A112.19.2/CSA B45.1  
ADA  
ICC/ANSI A117.1  
CSA B651

## KOHLER® Vitreous China Bathroom Sink Lifetime Limited Warranty

See website for detailed warranty information.

## Available Colors/Finishes

*Color tiles intended for reference only.*

### Color Code Description

■ 0 White

1-800-4KOHLER (1-800-456-4537)

Kohler Co. reserves the right to make revisions without notice to product specifications.

For the most current Specification Sheet, go to [www.kohler.com](http://www.kohler.com) USA or [www.kohler.ca](http://www.kohler.ca) Canada

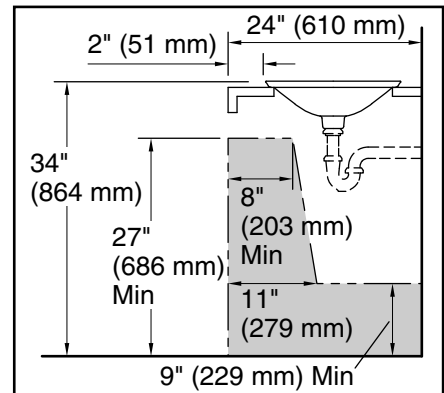
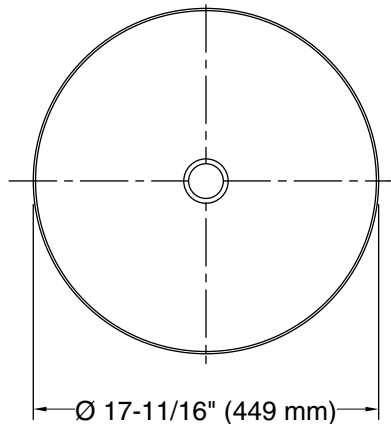
2-14-2025 15:49 - US/CA

THE BOLD LOOK  
OF **KOHLER**®

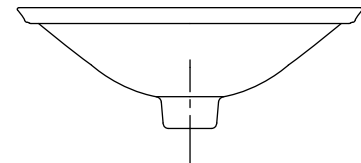
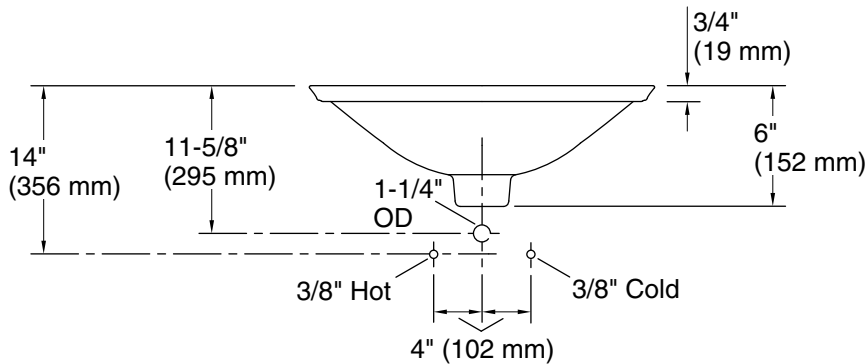


# Dutchmaster Midnight Floral™ Carillon®

17-3/4" round drop-in bathroom sink, no overflow  
**K-30333-DM2**



Recommended ADA Installation



## Technical Information

All product dimensions are nominal.

- Basin configuration: Single Bowl
- Bowl area (Only): Length: 17-1/4" (437 mm)  
Width: 17-1/4" (437 mm)  
Bowl depth: 4" (102 mm)  
Water depth: 4" (102 mm)
- With overflow: No
- Template: 1242827, required, included

## Notes

Install this product according to the installation instructions.

NOTICE: Countertop manufacturer or cutter must use the current product template available at [www.kohler.com](http://www.kohler.com), or by calling 1-800-4KOHLER. Kohler Co. is not responsible for cutout errors when the incorrect cutout template is used.

ADA, CSA B651 compliant when installed to the specific requirements of these regulations.