

### Features

- Mixing valve cycles from "cold" to "hot"
- Rite-Temp® pressure-balancing diaphragm design
- Rite-Temp® pressure-balancing technology maintains water temperature within +/- 3°F
- Antiscald protection
- Without screwdriver stops
- High-temperature safety stop ensures water temperature stays below 120°F
- Universal NPT and direct sweat connections need no additional parts for installation
- Requires valve trim (sold separately)
- Deep rough-in kit varies with trim

### Material

- Brass

### Installation

- Back-to-back installation is ideal for unique or high-volume jobs
- Mounting tabs located on rough-in for secure installation option



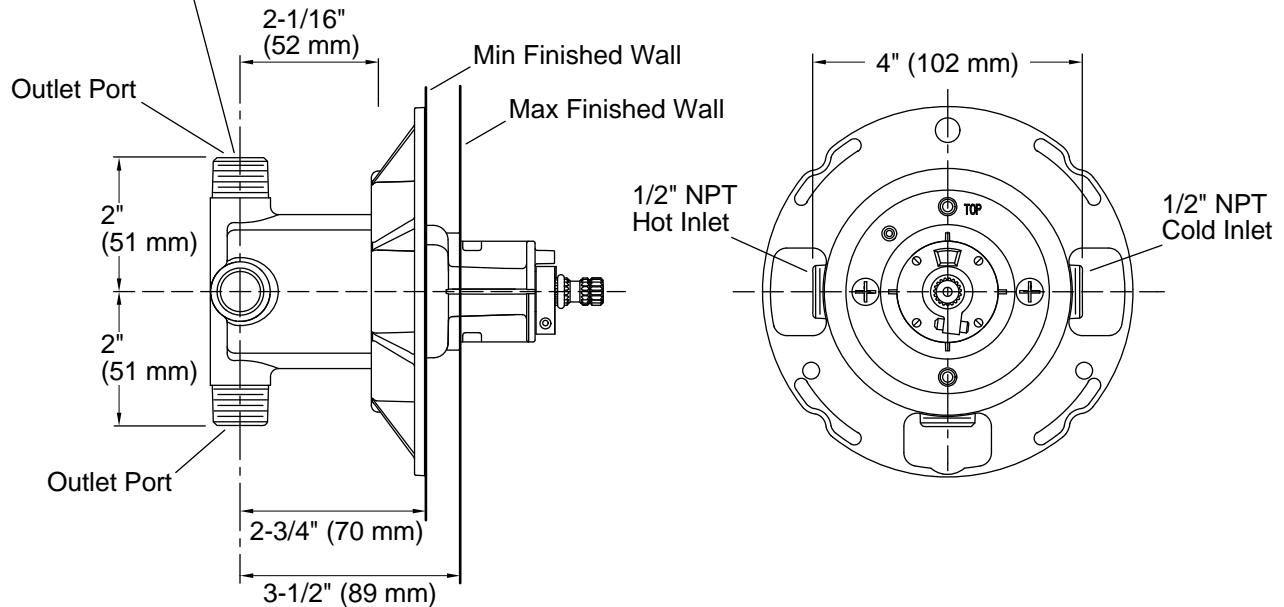
### Codes/Standards

ASME A112.18.1/CSA B125.1  
ASSE 1016/ASME A112.1016/CSA B125.16  
IAPMO Certification

### KOHLER® Faucet Lifetime Limited Warranty

See website for detailed warranty information.

1/2"-14 NPT or 5/8" ID  
for 1/2" Nominal Copper Tubing



### Technical Information

All product dimensions are nominal.

#### Shower Valve:

Flow Rate (Max) @ 45 psi	5 gal/min (18.9 l/min)
Pressure:	45 psi (3.1 bar)
Maximum (Static) Pressure:	125 psi (8.6 bar)

### Notes

Install this product according to the installation guide.

Avoid cross-flow conditions. Do not install a shut-off device on either valve outlet.

Cap the shower outlet if deck-mount spout, diverter, or handshower is connected to the spout outlet.

Install straight pipe or tube drop of 7" (178 mm) to 18" (457 mm) with single elbow between the valve and wall-mount spout.