

### Features

- Two-function pull-out sprayhead with touch-control allows you to switch from aerated stream to spray
- ProMotion® technology's light, quiet braided hose and ball-joint swivel make the pull-out sprayhead easier and more comfortable to use
- MasterClean™ sprayface features an easy-to-clean surface that withstands mineral buildup and maximizes spray performance
- 7-1/2" (191 mm) rotating spout
- Single lever handle makes adjusting water temperature easy.
- Temperature memory allows faucet to be turned on and off at the temperature set during prior usage
- 1.5 gpm (5.7 lpm) maximum flow rate at 60 psi (4.14 bar)
- KOHLER® ceramic disc valves exceed industry longevity standards for a lifetime of durable performance

### Material

- Premium metal construction for durability and reliability
- KOHLER® finishes resist corrosion and tarnishing

### Installation

- Single- or three-hole installation (escutcheon included)
- Flexible supply lines simplify installation

### Adapters, Rough-in and Extension Kits

1327990    Range: 2-1/2" (64 mm) -  
4-5/8" (117 mm)

### Recommended Products/Accessories

K-23723 Faucet cleaner

### Optional Products/Accessories

1012715 Kitchen Faucet Deep Rough-In Kit



**ADA**    **CSA B651**

### Codes/Standards

ASME A112.18.1/CSA B125.1

NSF/ANSI/CAN 61

NSF/ANSI/CAN 372

All applicable US Federal and State material regulations

DOE - Energy Policy Act 1992

California Energy Commission (CEC)

ADA

ICC/ANSI A117.1

CSA B651



IAPMO Certification

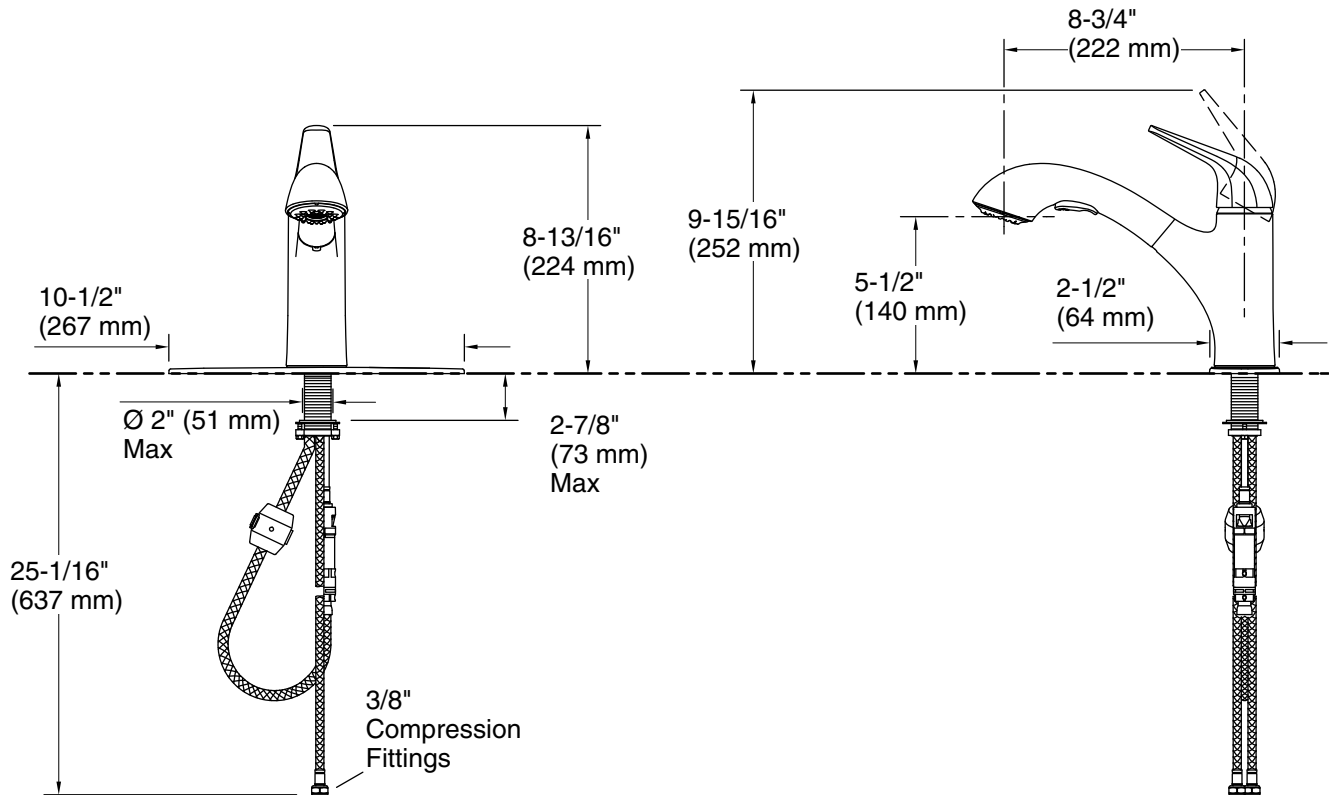
### KOHLER® Faucet Lifetime Limited Warranty

See website for detailed warranty information.

### Available Colors/Finishes

*Color tiles intended for reference only.*

Color	Code	Description
	CP	Polished Chrome
	VS	Vibrant® Stainless



## Technical Information

All product dimensions are nominal.

### Faucet:

Flow rate: 1.5 gal/min (5.7 l/min)

Drain included: No

### Handshower:

Rated maximum flow: 0 gal/min (0 l/min)

## Notes

ADA compliant for faucet handles only

ADA, CSA B651 compliant when installed to the specific requirements of these regulations.