

Features

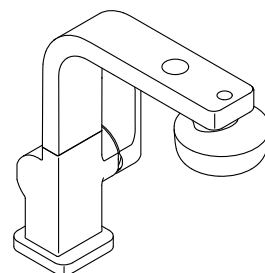
- Sleek, minimalist design
- Space-saving adjustable spout rotates 120° horizontally and 50° vertically
- Single lever handle allows for both on/off activation and temperature setting
- Touchless on/off with a wave of your hand
- Aerated flow delivers a smooth, steady stream of water
- Integrated push-button diverter
- Top-of-spout laminar stream delivers a gentle rinse with minimal splash during your oral hygiene routine
- Red/blue indexing
- Temperature memory allows faucet to be turned on and off at the temperature set during prior usage
- 7" (178 mm) spout height
- 5-3/4" (147 mm) spout reach
- 2.12 gpm (8.0 lpm) maximum faucet flow rate at 43.51 psi (3.0 bar)
- Up to 0.5 gpm (1.9 lpm) maximum grooming faucet flow rate at 14.5 psi (1.0 bar)
- KOHLER ceramic disc valves exceed industry longevity standards by over two times, ensuring durable performance for life
- Bluetooth® wireless technology pairs sensor-activated remote puck with valve for touchless functionality
- Includes clicker drain with 1-1/4" (32 mm) metal tailpiece
- Includes faucet, remote puck, solenoid valve, and mounting hardware
- Coordinates with other products in the Parallel collection

Material

- Premium material construction for durability and reliability
- KOHLER® finishes resist corrosion and tarnishing

Installation

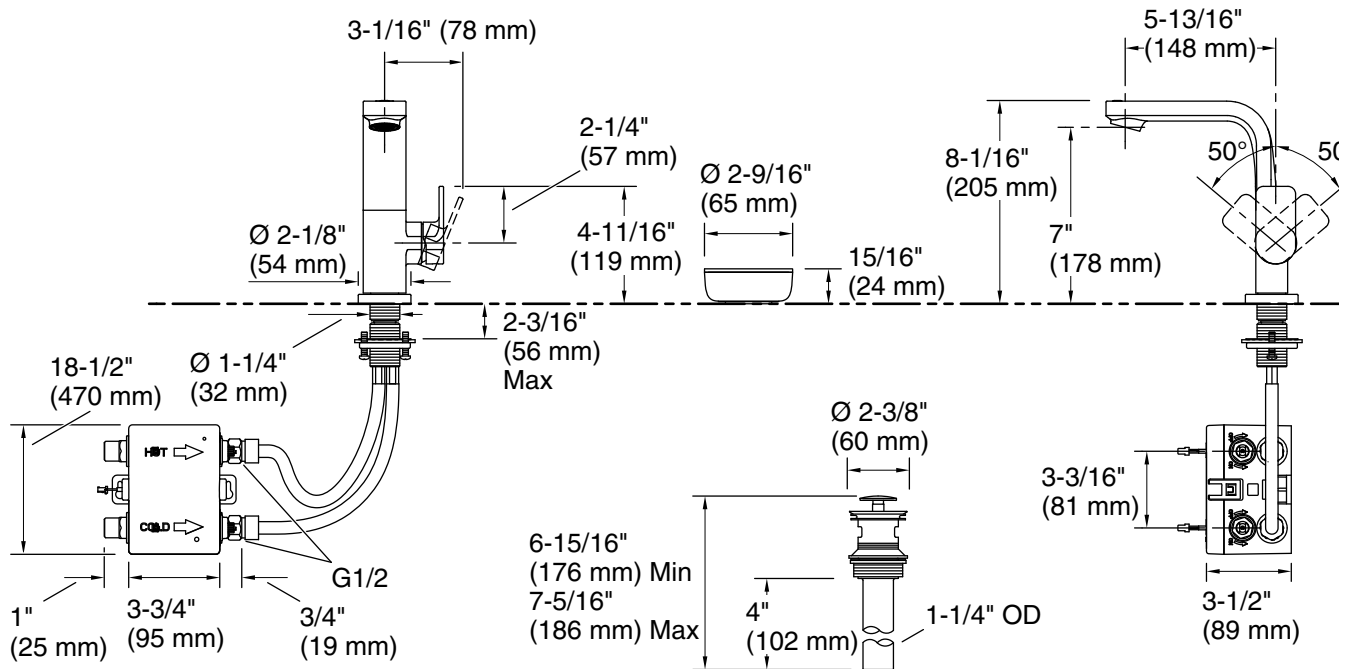
- Deck-mount
- Freestanding puck can also be secured via magnetic patch
- Single-hole installation
- Flexible supply lines simplify installation



Codes/Standards

Plumbing Standards
CJ/T 194

See website for detailed warranty information.



Technical Information

All product dimensions are nominal.

Power source: Battery - DC, not included

Faucet:

Flow rate: 1.9 gal/min (7.2 l/min)

Drain included: Yes

Drain with overflow: Yes

Notes

Install this product according to the installation guide.