

### Features

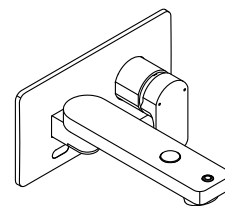
- Faucet with Kinesis® technology and concealed sensor gives a clean aesthetic and provides extraordinarily accurate and reliable actuation in varying installation environments
- Space-saving adjustable spout rotates 130° horizontally
- Sleek, minimalist design
- Single lever handle is simple to use and makes adjusting water temperature easy
- Aerated flow delivers a smooth, steady stream of water
- Integrated push-button diverter
- Top-of-spout laminar stream delivers a gentle rinse with minimal splash during your oral hygiene routine
- Red/blue indexing
- Temperature memory allows faucet to be turned on and off at the temperature set during prior usage
- 7-1/4" (184 mm) spout reach
- 2.12 gpm (8.0 lpm) maximum faucet flow rate at 43.51 psi (3.0 bar)
- Up to 0.5 gpm (1.9 lpm) maximum grooming faucet flow rate at 14.5 psi (1.0 bar)
- KOHLER ceramic disc valves exceed industry longevity standards by over two times, ensuring durable performance for life
- Includes clicker drain with 1-1/4" (32 mm) metal tailpiece
- Coordinates with other products in the Parallel collection

### Material

- Premium material construction for durability and reliability
- KOHLER® finishes resist corrosion and tarnishing

### Installation

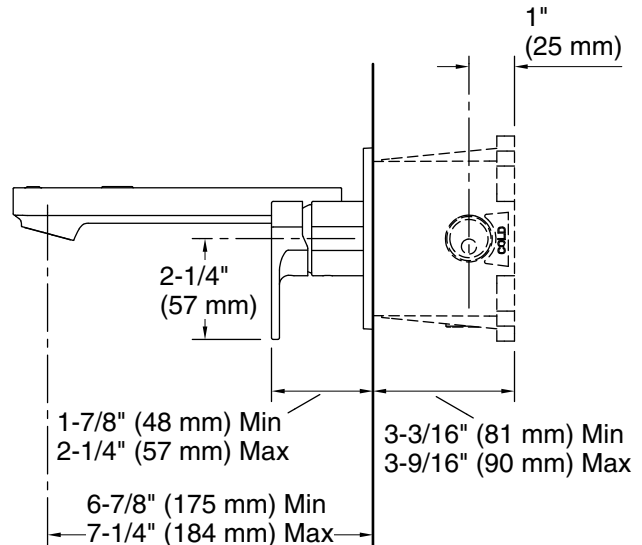
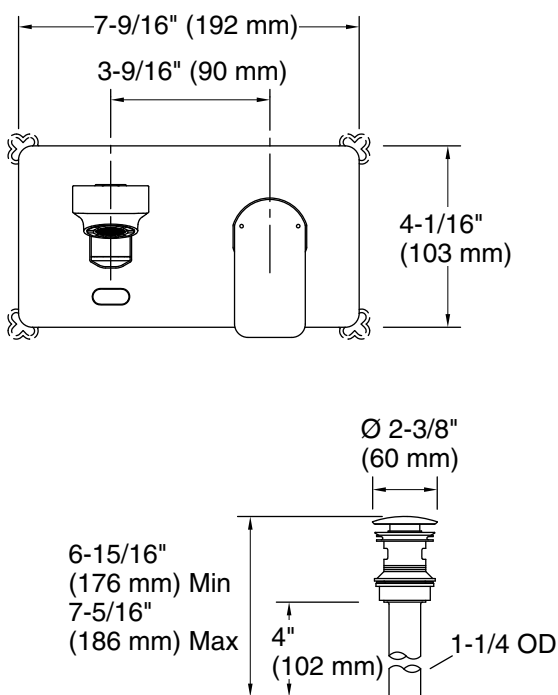
- Wall-mount



### Codes/Standards

Plumbing Standards  
CJ/T 194

See website for detailed warranty information.



### Technical Information

All product dimensions are nominal.

Power source: Battery - DC, not included

#### Faucet:

Flow rate: 2.1 gal/min (7.9 l/min)

Drain included: Yes

Drain with overflow: No

#### Spout:

Spout reach: 6-7/8" (174 mm)

### Notes

Install this product according to the installation instructions.