

Features

- Sleek, handheld remote control with two programmable user presets
- Front and rear wash modes provide warm water for cleansing
- Three-level adjustable nozzle position, water temperature, and water pressure
- Bidet wand rotates to deliver three personal cleansing spray modes; stream, mist, and air mist
- Stainless steel wand is automatically cleaned before and after each use
- 3D wash feature oscillates spray back and forth and side to side
- Spa Spray mode activates air mist spray while automatically changing water temperature for a comfortable spray
- Boost spray automatically adjusts rear spray mode to highest pressure
- Child mode with soft, gentle wash provides a safe experience
- Motion-activated, hands-free opening/closing of cover
- Bowl is automatically misted prior to use for more effective rinsing while flushing
- Heated seat with adjustable temperature settings
- Warm-air drying system with adjustable temperature settings
- Automatic deodorization with carbon filter for odor control
- LED lighting illuminates the bowl to serve as a nightlight
- Power-save mode monitors usage and adjusts heated seat settings to save energy
- Quiet-Close™ functionality to prevent seat from slamming
- Grip-Tight bumpers hold seat firmly in place
- Quick-Release™ functionality allows seat to be removed easily from toilet for convenient cleaning
- Fits most elongated toilets

Material

- Plastic construction

Installation

- Requires connection to toilet water supply line. All hoses and connections are included
- Requires dedicated electrical GFCI circuit (120 V, 15 A, 60 Hz)



Codes/Standards

ASME A112.4.2/CSA B45.16
CSA C22.2 No. 0
CSA C22.2 No. 68
CSA C22.2 No. 64

KOHLER® Intelligent Toilet and C3® Cleansing Seat Three-Year Limited Warranty

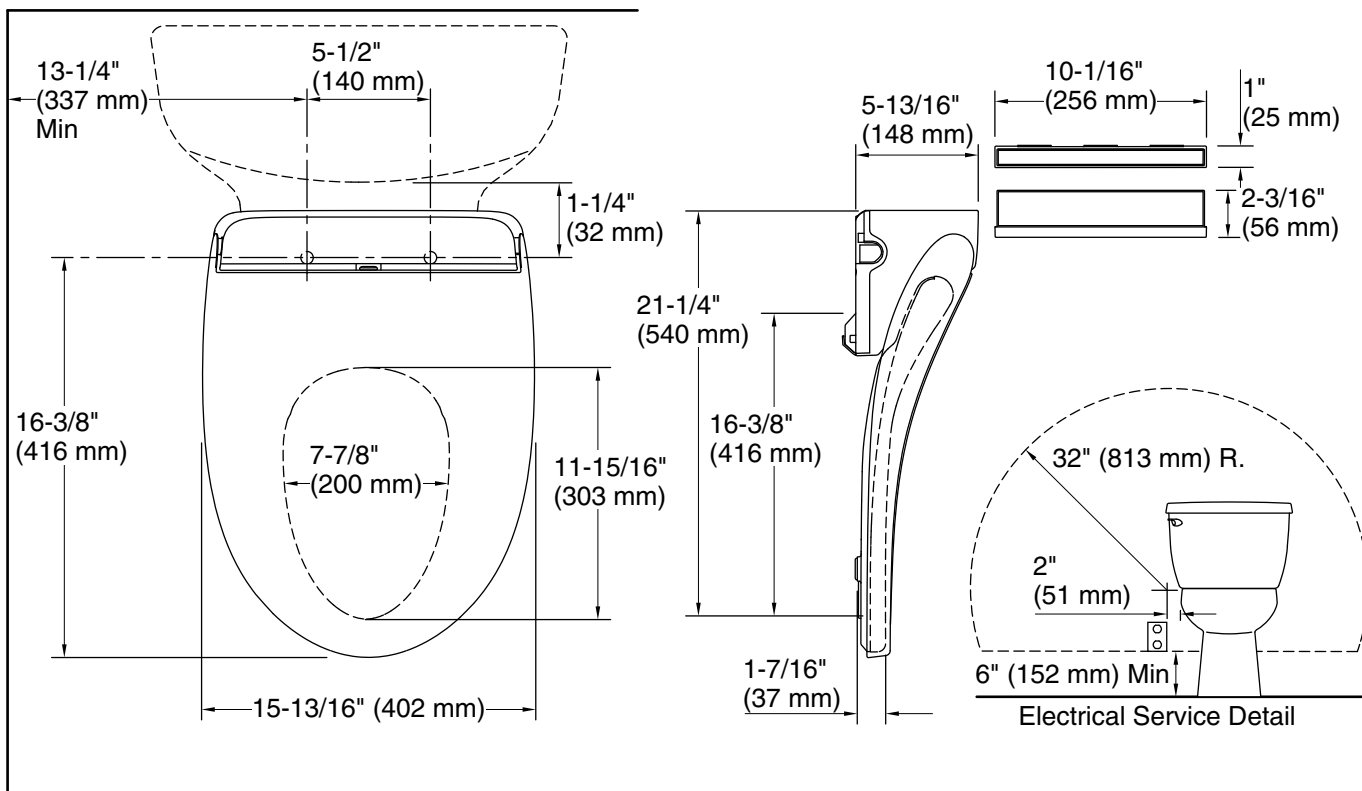
See website for detailed warranty information.

Available Colors/Finishes

Color tiles intended for reference only.

Color	Code	Description
-------	------	-------------

	0	White
---	---	-------



Required Electrical Service

One dedicated circuit required, protected with Class A Ground-Fault Circuit-Interrupter (GFCI). Outside North America, this device may be known as a Residual Current Device (RCD).

Bidet toilet seat: 120 V, 15 A, 60 Hz

Technical Information

All product dimensions are nominal.

Seat shape type: Elongated
 Seat front type: Closed-front
 Seat-mounting holes: 5-1/2" (140 mm)

Electrical component rating: Bidet toilet seat: 120 V, 15 A, 60 Hz, 1450 W

Power cord length: 51" (1295 mm)

Pressure/fixture Supply Requirements

Notes

Install this product according to the installation instructions.