

Features

- 605 silicone concave nozzles produce a full-coverage rain experience
- 19" x 19" (483 x 483 mm) silicone panel provides wide coverage area with easy-to-clean nozzles
- 1.75 gpm (6.6 lpm) maximum flow rate
- Deluge function delivers a downpour of water at the push of a button
- Deluge™ function is actuated with Real Rain diverter valve (in manual showers) or can be actuated directly with the DTV+™ system
- Center of the panel is designed as a rain-free zone to keep user's face dry and encourage easy breathing during regular use. Deluge™ function flows from center of the panel when actuated

Installation

- Mounts flush to the surface of a drop ceiling
- Easy-mount bracket and two-panel system improve the installation process
- Z-bracket contains four leveling nuts to simplify installation
- Real Rain overhead panel has 1/2" NPT male water supply inlet
- If using DTV+™ system the user interface must be 99693-P-NA (99693-NA does not contain Real Rain software)
- If using DTV Prompt® system must include Real Rain diverter valve and trim (K-76746 and K-76748) to actuate Deluge™ function

Required Products/Accessories

K-31111 overhead panel trim
K-76746 Diverter Valve
K-76748 diverter valve trim

or

K-31111 overhead panel trim
K-99693-P Digital interface
K-99694 Interface Mounting Bracket
K-99695 System Controller Module

Recommended Products/Accessories

K-23723 Faucet cleaner



Codes/Standards



ASME A112.18.1/CSA B125.1
DOE - Energy Policy Act 1992
EPA WaterSense®
California Energy Commission (CEC)
IAPMO Certification

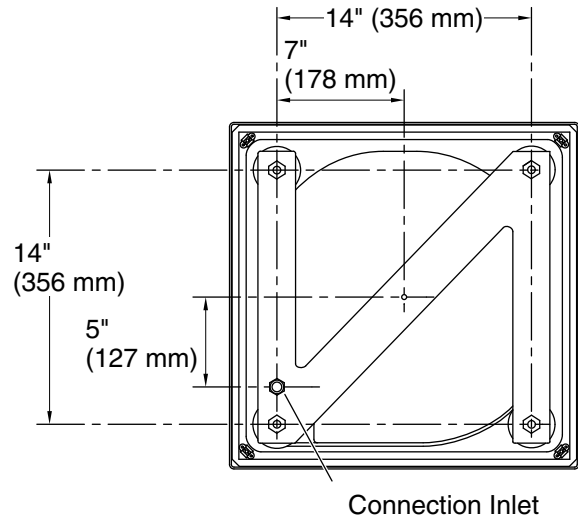
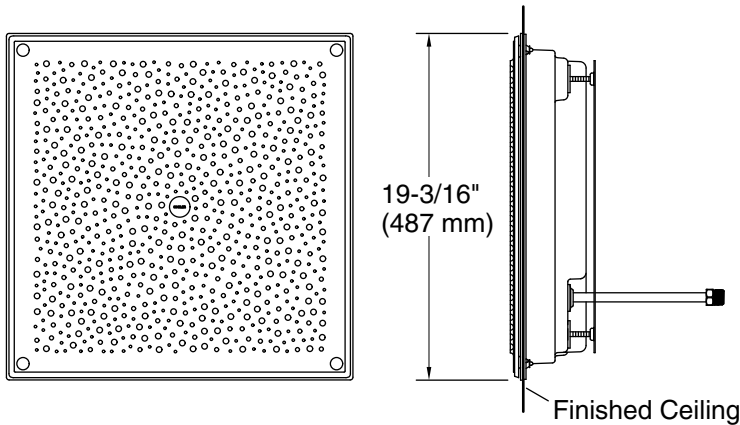
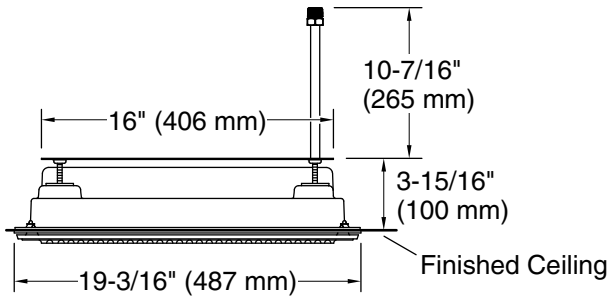
KOHLER® Faucet Lifetime Limited Warranty

See website for detailed warranty information.

Available Colors/Finishes

Color tiles intended for reference only.

Color	Code	Description
	0	White
	58	Thunder™ Grey



Technical Information

All product dimensions are nominal.

Drain included: No

Handshower:

Rated maximum flow: 0 gal/min (0 l/min)

Showerhead/Body Spray:

Rated maximum flow: 1.75 gal/min (6.6 l/min)

Notes

Install this product according to the installation instructions.

For use with automatic compensating valves rated at 1.5 gal/min [5.7 l/min] or less.