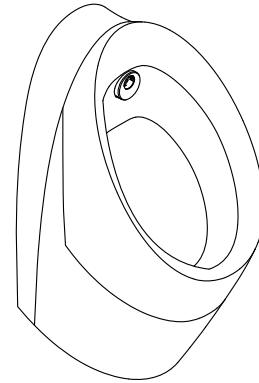


Features

- Washout urinal
- 0.125 gpf (0.5 lpf), 0.26 gpf (1.0 lpf), or 0.66 gpf (2.5 lpf) based on valve selected
- Optimized interior design virtually eliminates splashing
- Skirted trapway and rimless design simplify cleaning
- Rigid snap-in stainless steel strainer increases drain flow speed and eliminates shifting
- 1/2" (13 mm) rear spud
- Requires wall-mount faceplate for touchless functionality (sold separately)

Installation

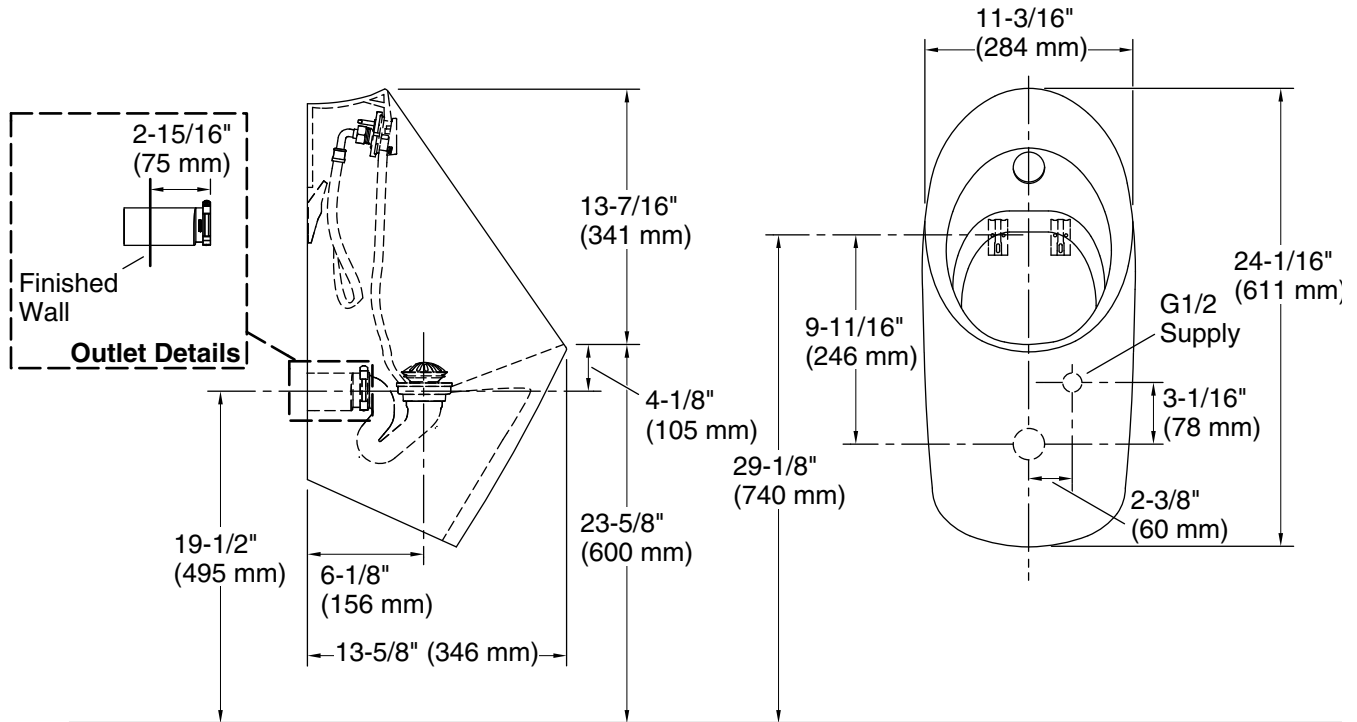
- Trapway secures urinal to wall, eliminating bolts for a faster installation
- Wall-mount



Codes/Standards

None Applicable

See website for detailed warranty information.



Technical Information

All product dimensions are nominal.

Flush Type:	Washout
Spud size:	1/2, Inlet, Rear
Min. Water per Flush:	0.125 gpf (0.5 lpf)
Max. Water per Flush:	0.5 gpf (2.5 lpf)

Designed for the above water use when installed with a water-saving flushometer.

Notes

Install this product according to the installation guide.