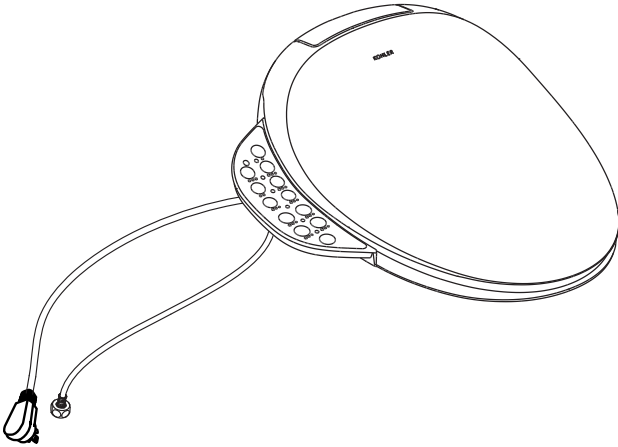


Installation Guide

Smart Seat

C3-520

K-31333TW-0



Kohler China Investment Co., Ltd.

No.158, Jiangchangsan Road, Jing'An District, Shanghai, PRC Post Code : 200436

Manufacturer: Shanghai Kohler Electronics., Ltd.

No. 1955, Fengxiang Road, Baoshan Area, Shanghai, PRC Post Code : 200444

English page 2-9

繁體頁碼 10-17

1350315-TW01-A

KOHLER[®]

Thank You For Choosing Kohler Company

Thank you for choosing a Kohler product. Kohler craftsmanship offers you a rare combination of proven performance and graceful sophistication that will satisfy you for years to come. The dependability and beauty of your Kohler product will surpass your highest expectations. We are very proud of our products here at Kohler and we know you will be too.

Please take a few minutes to study this Homeowners Guide. Pay special attention to the care and cleaning instructions.

All information in this manual is based upon the latest product information available at the time of publication. At Kohler, we constantly strive to improve the quality of our products. We reserve the right to make changes in product characteristics, packaging or availability at any time without notice.

Tools and Materials



Adjustable wrench



Blade Screwdriver



Tape



Rag

Before You Begin



Warning:

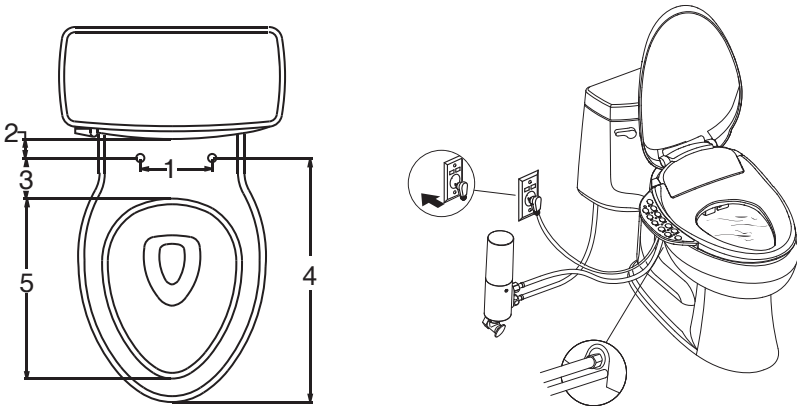
- Risk of electric shock, fire hazards, or personal injury.** This product must be installed safely. Connect only to dedicated 110V~, 50Hz/60Hz, 15A circuit protected by Ground-Fault Circuit-Interrupters (GFCI's) or Earth-Leakage Circuit-Breakers (ELCB's).
- Risk of electric shock or product damage. Do not immerse the product into water.
- Risk of product damage.** Do not plug in the seat until all other installation steps have been completed.
- Risk of product damage.** Do not install at a place where it may be splashed by water.
- Follow local plumbing and construction codes.
- Do not use extension cord with the product.



Note:

- Risk of product damage.** Do not install the product at a place with excessive humidity, where moisture may condense at the surface of the product. Please maintain that the usage environment is under adequate ventilation, so as to prevent damage to electronic components.
- Risk of product damage or property loss.** Water leakage may happen if the water pipe connector is pulled or pressed with excessive force.
- Risk of product damage.** The product may be damaged if the nozzle is applied with excessive force.
- Risk of product damage.** Make sure the seat is positioned correctly so that it can be connected to the thread of the inlet pipe. Otherwise, the inlet pipe thread may wear off and lead to water leakage.
- Min water pressure 0.07Mpa (dynamic pressure)
Max water pressure 0.74Mpa.
- Connect only to tap water.
- Unplug the seat and drain completely, if the seat is not being used for an extended period of time.
- When install the product in the room, a stop valve shall be installed in a close proximity. For emergency circumstances, the water inlet valve shall be stopped without using any tools; otherwise unexpected failure may cause the loss to the customer.

1. Toilet roughing-in requirements and installation tips



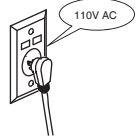
1. Distance between installation holes: 136 - 210mm.
2. Distance between installation holes and tank front rim: >20mm.
3. Distance between installation holes and bowl inner rim: <70mm.
4. Distance between installation holes and tank top rim: 460 - 490mm.
5. Bowl inner diameter: 370 - 390mm.
6. The distance between the seat and the plug should be maximum 1 meter.

2. Install an Electrical Outlet



WARNING: Risk of electric shock, fire, or personal injury.

This product must be grounded. Connect only to a dedicated 110V~, 50Hz/60Hz, 15A circuit protected by Ground-Fault Circuit-Interrupter (GFCI) or Earth-Leakage Circuit-Breaker (ELCB).



- It is recommended to use water-resistant socket. Do not use an extension cord with the product.

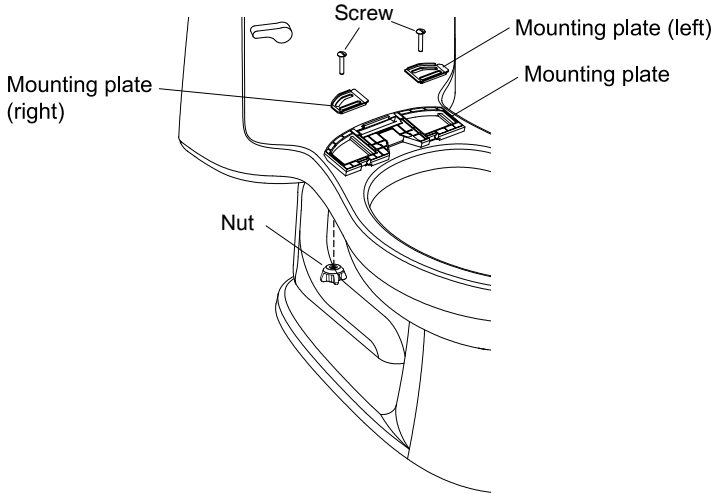
NOTE: Follow local codes when determining the electrical outlet location.

- Route the electrical and install to a 110V~, 50Hz/60Hz, 15A GFCI- or ELCB-protected receptacle.

3. Preparation

- Turn off the water supply to the toilet.
- Flush the toilet to relieve any pressure from the water supply hoses.
- Place a container under the inlet valve to catch any residual water.
- Disconnect the water supply hose from the inlet valve.
- Remove the existing toilet seat.

4. Install the Mounting Plate



Note: align left/right mounting plate with mounting holes, bend mounting plate upwards.

- Position the mounting plate over the mounting holes on the bowl.
- Insert the bolts through left/right mounting plate so they rest in the grooves of the mounting plates.

Note: some toilet base plate has already equipped with threaded insert, no nut required for such toilet.

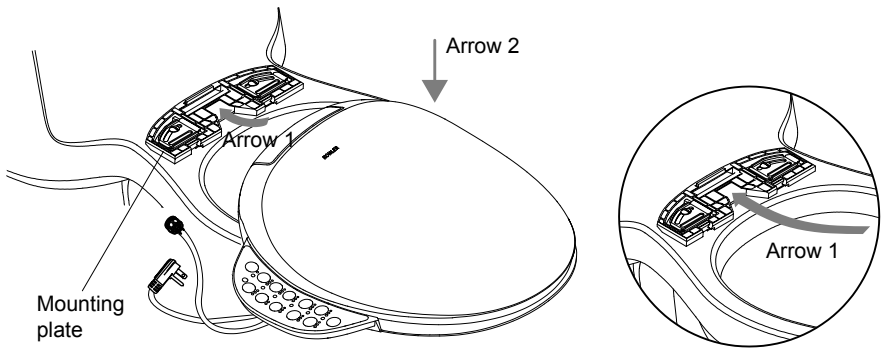
Toilet with threaded inserts:

- Insert bolts through the mounting plate, move left/right mounting plate and position the bolts so they rest in the groove of the mounting plates. Pay attention to mounting plate direction: mounting plate bend upwards.
- Tighten bolts slightly towards threads direction. Loosely thread a nut onto each of the bolts for future adjustment.

For all other toilets installation:

- Position the mounting plate over the mounting holes on the bowl.
- Insert bolts through the mounting plate, move left/right mounting plate and position the bolts so they rest in the groove of the mounting plates. Pay attention to mounting plate direction: mounting plate bend upwards.
- Insert each bolt through the mounting plate and into the mounting holes.
- Position the left/right mounting plate so to rest in the grooves of the mounting plate.
- Loosely thread a nut onto each of the bolts. Manual tighten nuts.

5. Install the Seat



- Slightly lift cover front tip, observe rear bugle slot, guide mounting plate into the groove (per arrow 1 direction) Align the slot on the mounting plate with the groove located below the toilet seat.
- Slide the seat onto the mounting plate, front tip downwards (per arrow 2 direction) until you feel it snaps into place.

For Toilets without Threaded Inserts:

- To adjust cover position, do not remove cover; only loosen screws to adjust cover and mounting plate position. Tight down the bolts when desired position is acquired.

For Toilets with Threaded Inserts:

- To adjust cover position, remove cover first, readjust mounting plate position.
- Once the mounting plate is confirmed, tighten screws, fasten mounting plate, re-install cover.

6.1 Connect the Water Supply (K-31333TW-0)

IMPORTANT! Risk of product damage. Align water inlet hose thread with cover thread, do not damage threads or over tighten connector. To tighten the connector, manually tighten and tight 1/4 turns more by tool.

IMPORTANT! Risk of product damage. Do not scratch the product surface.

- Connect the T-valve directly to the water inlet valve.

NOTE! For those newly installed plumbing pipes, (before the inlet hose is connected to the T-valve,) flush for several seconds to to remove the dirt and debris, etc inside the hose.

- Connect cover and water tank with supplied hose.

Note: use supplied new hose, do not reuse the old hose.

- Adjust filter angle and position (for easy exchange in the future, cartridge exchange refer to “Homeowner’s Guide” on page 14).

- Open cartridge cover when use filter first time.

Adjust exchange duration to 6 months.

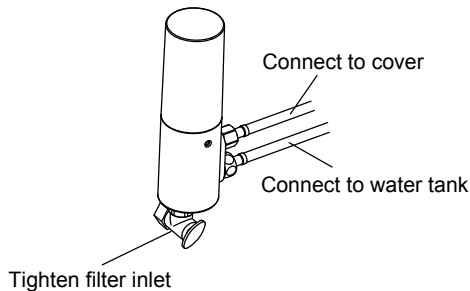
Rotate and install cartridge cover properly (refers to Homeowner’s Guide on Page 14).

- Tighten all connections.

- Turn on water supply system

Note! Flush the water supply pipes completely to remove debris. The product is designed for tap water. Make sure not to use industrial water/sewage water/waste water/ocean water.

- Check water leak, adjust if necessary.



6.2 Connect the Water Supply (K-31333TW-0)

IMPORTANT! Risk of product damage. Align water inlet hose thread with cover thread, do not damage threads or over tighten connector. To tighten the connector, manually tighten and tight 1/4 turns more by tool.

IMPORTANT! Risk of product damage. Do not scratch the product surface.

- Connect the T-valve directly to toilet or the water inlet valve.

NOTE! For those newly installed plumbing pipes, (before the inlet hose is connected to the T-valve,) flush for several seconds to to remove the dirt and debris, etc inside the hose.

- Use supplied hose to connect Tee-valve to toilet.

Note: use supplied new hose; do not reuse the old hose.

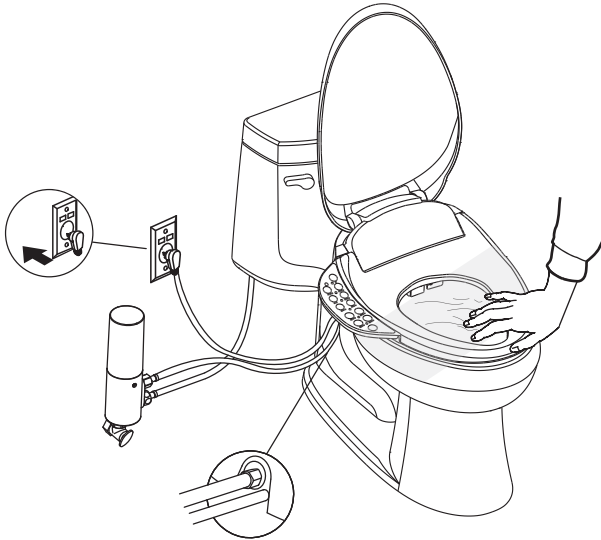
- Tighten all connections.

- Turn on water supply system

Note! Flush the water supply pipes completely to remove debris. The product is designed for tap water. Make sure not to use industrial water/sewage water/waste water/ocean water.

- Check water leak, adjust if necessary.

7. Installation Checkout



- Ensure if water inlet valve is OPEN.
- Wrap seat with plastic sheet to prevent splash water from toilet during test.
- Toilet generates one short beep once it is plugged in. The nozzle stretches out and draws back once. Backlight on the side panel lights up and the night light flashes until the initialization process completes.
- Snap hose and power cord into the clip.
- The seat is designed not to function without an occupant. To activate the seat controls for testing purposes, when facing the toilet, place your hand or a damp wash cloth on the right side of the seat approximately 1/3 from the front of the seat (sensor area).
- Proceed to the “Keypad and Panel Diagram” Section to test the various seat functions.

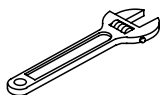
謝謝您選擇科勒公司

謝謝您選擇科勒。科勒技術提供了可靠性能和優雅生活的結合，滿足了您未來幾年的需求。科勒產品的美觀和可靠性將滿足您最挑剔的眼光。我們為我們科勒的產品感到非常地自豪，相信您也會。

請花幾分鐘閱讀一下這本用戶手冊，特別注意維護和清洗說明。

這本說明書中所有的資訊基於最新公開的產品資訊。在科勒，我們一貫堅持改善我們產品的品質。我們保留在任何時候不通知的情況下改變產品特性，包裝或實用性的權利。

工具和材料



可調節扳手



一字螺絲刀



卷尺



擦布

安裝之前

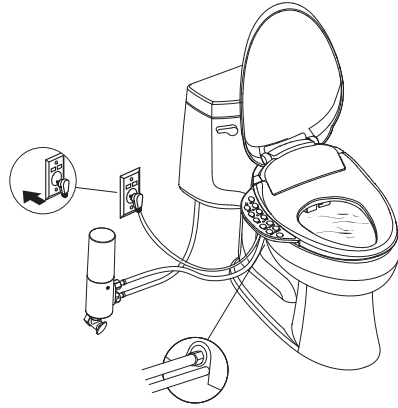
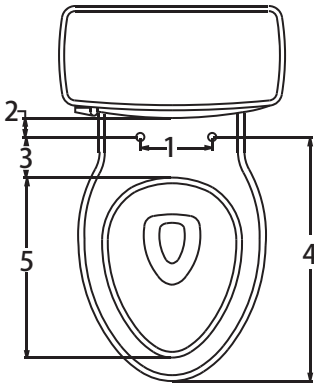
警告：

- 觸電，火災或人身傷害的危險。本產品必須安全接地。只能連接到專用的110V~，50Hz/60Hz，15A帶接地故障斷路器或接地漏電保護器之中。
- 觸電或產品損傷的危險。不要把產品浸入水中。
- 產品損傷的危險。在所有其他安裝步驟結束之前不要插電源線插頭。
- 產品損傷的危險。不要把產品安裝在水可能濺到的地方。
- 遵守所有當地的管道和建築標準。
- 不要使用延長電線連接產品。

注意：

- 產品損傷的危險。不要把產品安裝在過分潮濕的地方，在這種地方，水汽可能凝聚在產品表面。請始終保持使用環境有足夠的通風，以防止電子元件的損壞。
- 產品損壞或財產損失的危險。硬推、硬拉水管接頭可能造成水滲漏。
- 產品損壞的危險。不要在噴嘴上施加過大的力，否則產品可能損壞。
- 產品損壞的危險。連接本產品進水管時要小心對正螺紋，否則會損壞產品進水口螺紋，造成漏水。
- 最小進水壓力0.07Mpa（動壓）
最大進水壓力0.74Mpa。
- 只能連接到自來水的水源。
- 如果產品長時間不用，請拔下插頭並排幹本機裡的水。
- 在安裝本產品的同一房間中，需要在觸手可及的位置安裝一個進水角閥，用於緊急情況下，無需借助工具即可切斷本產品的進水水路；否則本產品的意外故障可能會導致使用者損失。

1. 適配座便蓋尺寸要求及安裝小貼示



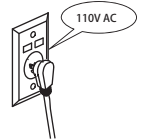
1. 安裝孔的間距：136-210mm
2. 安裝孔與水箱的距離： $> 20\text{mm}$
3. 安裝孔與座便器內圈的距離： $< 70\text{mm}$
4. 安裝孔到座便器頂端的距離：460-490mm
5. 座便器內徑尺寸：370-390mm

6. 安裝前請在座便器左側約1米範圍內預留電源插座

2. 安裝電路出口



警告：觸電，火災或人身傷害的危險。本產品必須接地良好。只能連接到專用的110V~，50Hz/60Hz，15A的帶接地故障斷路器或接地漏電保護器的電路中。

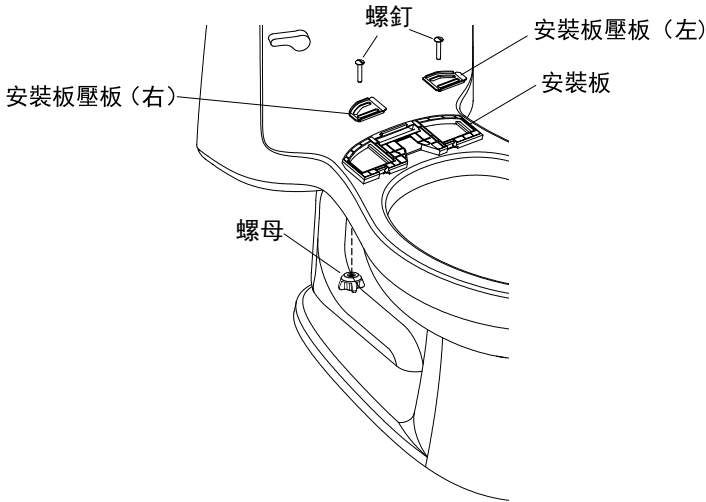


- 建議使用防水型插座，不要使用延長電線連接產品。
注意：在決定電路出口位置時，要按照當地的標準。
- 連接到110V~，50Hz/60Hz，15A並帶有接地故障斷路器或接地漏電保護器保護的電路中。

3. 準備

- 關閉座便器的供水系統。
- 沖洗座便器，釋放來自供水管的壓力。
- 在進水角閥下方放置一個容器裝多餘的水。
- 斷開座便器進水角閥與供水管的連接。
- 移除現有的座圈。

4. 安裝安裝板



注意：左、右安裝板壓板與安裝板上的孔形對應，安裝板壓板折彎向上。

- 在座便器安裝孔上方放置安裝板。
- 把螺釘分別插入左、右安裝壓板上合適的條形孔內。

注意：壹些座便器的底板孔內已經有螺紋，這種座便器不需要螺母。

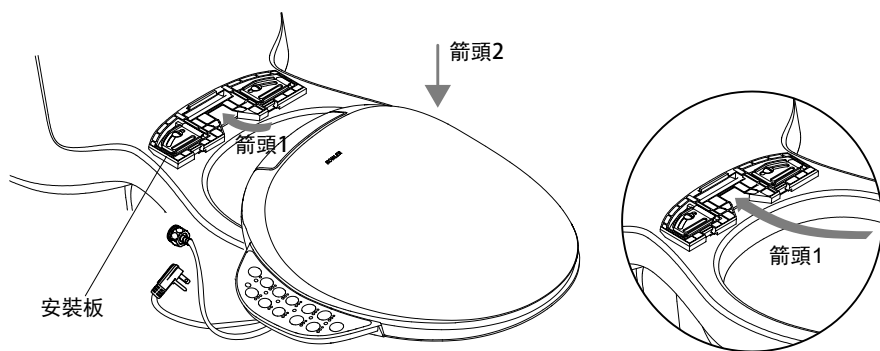
對有螺紋孔的座便器：

- 把螺釘插入安裝板和座便器安裝孔內，移動左、右安裝板壓板，使之置於安裝板上對應的凹槽內，注意安裝板壓板方向：安裝板壓板折彎向上。
- 順著螺紋輕輕地擰緊螺釘，不要擰得過緊，以便調整。

對其他座便器：

- 在座便器安裝孔上方放置安裝板。
- 把每個螺釘分別插入左、右安裝板壓板合適的條形孔內，注意安裝板壓板方向：安裝板壓板折彎向上。
- 把螺釘插入安裝板和座便器的安裝孔內。
- 移動左、右安裝板壓板，使之置於安裝板上對應的凹槽內。
- 在每個螺釘擰上螺母，用手擰緊螺母。

5. 安裝座便蓋



- 座便器前端略微抬起，觀察後端凸出卡槽，正確導入安裝板的凹槽內（按箭頭1）。
- 向後推到底時，前端向下（按箭頭2）按，聽到“啞啞”聲後，說明安裝到位。

對無螺紋孔的座便蓋：

- 要調節座便蓋的位置，不需移除座便蓋，只需擰松螺母，調節座便蓋及安裝板的位置，當位置適當時，直接擰緊螺母即可。

對有螺紋孔的座便蓋：

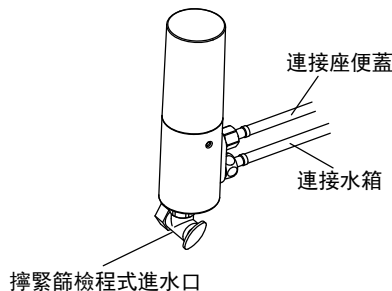
- 要調節座便蓋位置，請先移除座便蓋，重新調節安裝板的位置。
- 一旦座便蓋位置確定，擰緊螺釘，緊固安裝板，重新安裝座便蓋。

6.1 連接供水系統(K-31333TW-0)

注意！產品損壞的危險。小心對正進水管與座便蓋的螺紋，不要破壞螺紋或過於擰緊接頭。為了擰緊接頭，用手擰緊後用工具再擰緊1/4圈。

注意！產品損壞的危險。小心不要刮傷產品表面。

- 進水角閥出水口，連接篩檢程式進水口（示圖1）。
注意！對新安裝的管路系統，在將進水軟管連接至三通以前，須直接排水數秒，以清除管道內沙石、污垢等。
- 用軟管（隨器具附帶）分別連接座便器和水箱。
注意！必須使用隨器具附帶的新軟管元件，舊軟管元件不能重複使用。
- 調整好篩檢程式角度及位置（便於以後方便更換，更換濾芯請參閱“用戶手冊”第34頁）。
- 第一次使用篩檢程式時，打開濾芯外殼。
按6個月使用壽命，調整好更換濾芯時間。
旋轉安裝好濾芯外殼（請參閱用戶手冊第34頁）。
- 擰緊各處介面。
- 打開供水系統。
注意！一定要先徹底沖洗供水管以清除管道中的雜質，使用水源為飲用自來水，切勿使用工業用水、廢水、污水以及海水。
- 檢查所有連接是否有漏水，如果需要可做調整。



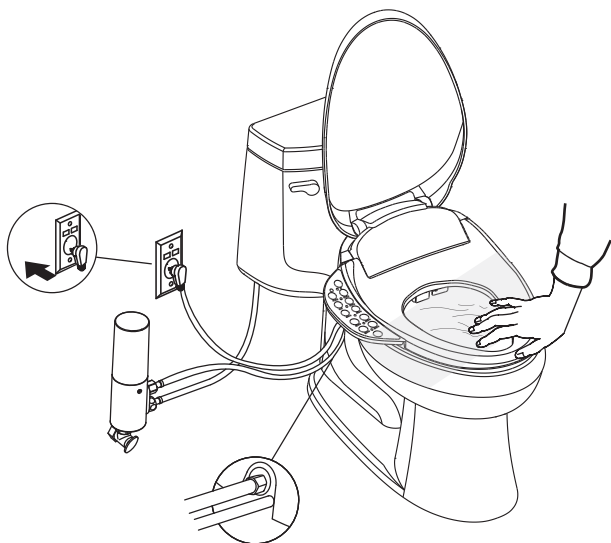
6.2 連接供水系統(K-31333TW-0)

重要！ 產品損壞的危險。小心對正進水管與座便蓋的螺紋，不要破壞螺紋或過於擰緊接頭。為了擰緊接頭，用手擰緊後用工具再擰緊1/4圈。

重要！ 產品損壞的危險。小心不要刮傷產品表面。

- 直接將三通與座便器、進水管口連接。
注意！對新安裝的管路系統，在將進水軟管連接至三通以前，須直接排水數秒，以清除管道內沙石、污垢等。
- 用提供的軟管連接三通和座便器。
注意！必須使用隨器具附帶的新軟管元件，舊軟管元件不能重複使用。
- 擰緊各處介面。
- 打開供水系統。
注意！一定要先徹底沖洗供水管以清除管道中的雜質，使用水源為飲用自來水，切勿使用工業用水、廢水、污水以及海水。
- 檢查所有連接是否有漏水，如果需要可做調整。

7. 安裝檢查



- 確認進水角閥是否已打開。
- 用塑膠布包裹在座圈上，防止測試時水噴出。
- 把電源線插上電源插座，座便蓋發出短蜂鳴1次，噴管伸縮1次，側鍵盤上背光燈閃爍，夜燈閃爍，直至初始化結束。
- 在軟管和電源線間扣上線夾。
- 座圈設計為有落座感應啟動工作。為了啟動座圈達到測試的目的，首先面對座便器，然後把手或者一塊濕布放在座圈右邊離前端大約三分之一處（感應區域）。
- 繼續參考使用者手冊中的“側鍵盤功能介紹”部分來測試產品的不同功能。