

Features

- Freestanding design creates a striking focal point in your bathing area
- Integral lumbar support
- PerfectFill™ technology conveniently fills the bathtub; no bath faucet or filler necessary
- Integrated drain and overflow
- Water overflows onto the Japanese Hinoki wood moat grate, creating a unique infinity pool effect, while maintaining temperatures up to 104°F (40°C)
- Experience tower creates a sensory experience with programmable light, fog, and aroma settings
- Three stainless steel aroma wells allow essential oils to be infused into the fog for a customized aromatherapy experience
- Chromatherapy lighting encourages your mind and body to relax as a full spectrum of color washes over you
- AutoFill feature closes drain and fills bath to desired level and temperature; no monitoring necessary
- Drain can be operated via remote
- Remote control
- Integrated and surround LED lighting feature delivers preloaded ambient lighting themes

Material

- Acrylic
- Japanese Hinoki wood

Installation

- Freestanding

Recommended Products/Accessories

K-31408 Moat shroud



Codes/Standards

ASME A112.19.7/CSA B45.10
CSA B45.5/IAPMO Z124
ASTM E162
ASTM E662
UL 1795
CSA C22.2 No. 218.2
IAPMO Certification
cUL Listed
UL Listed

KOHLER® Plastic Baths and Shower Bases Lifetime Limited Warranty KOHLER® Hydrotherapy Components Five-Year Limited Warranty

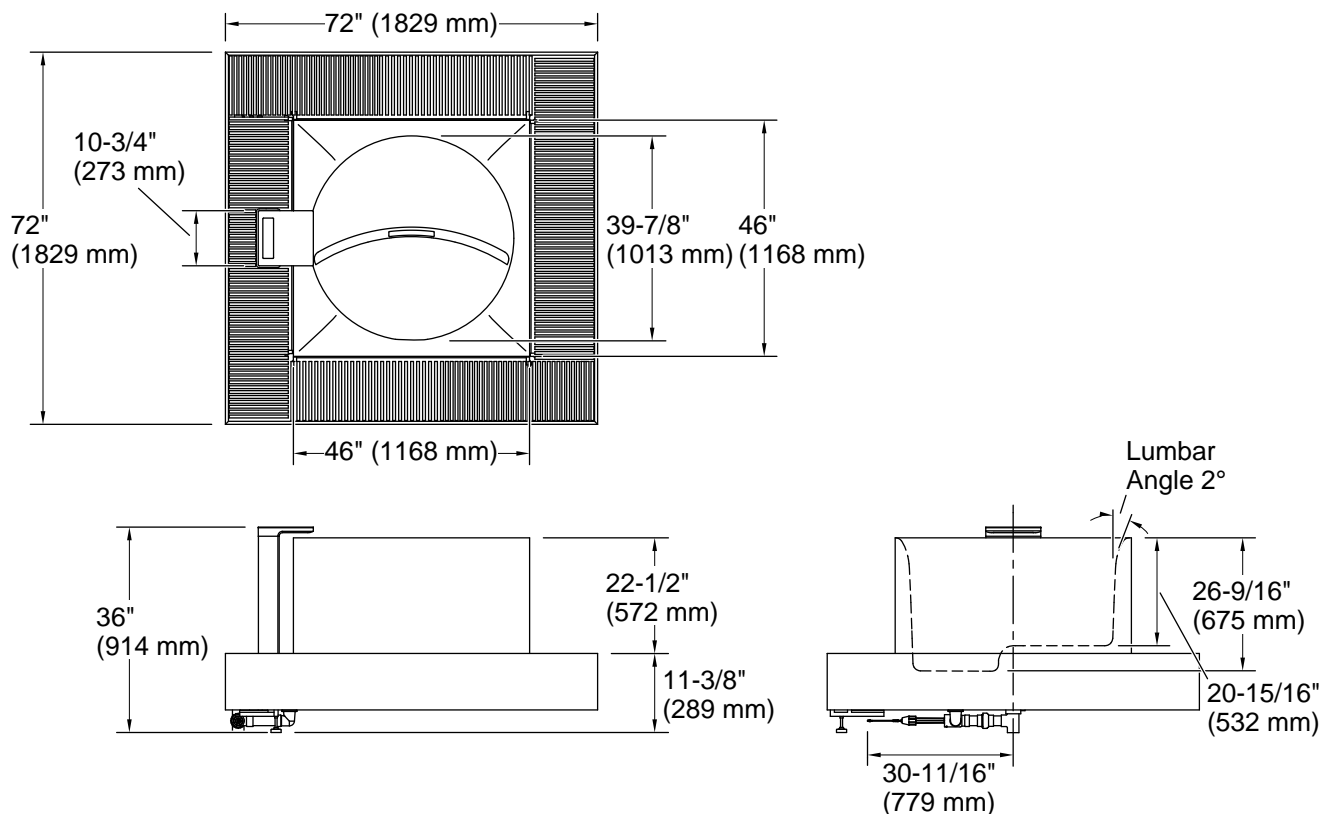
See website for detailed warranty information.

Available Colors/Finishes

Color tiles intended for reference only.

Color	Code	Description
-------	------	-------------

	HW1	Honed White
---	-----	-------------



Required Electrical Service

Two dedicated circuits required, protected with Class A Ground-Fault Circuit-Interrupter (GFCI). Outside North America, this device may be known as a Residual Current Device (RCD).

Heater: 220 V, 25 A, 50/60 Hz
 Pump, Controller module: 220 V, 10 A, 50/60 Hz

Technical Information

All product dimensions are nominal.

Drain location: Center
 Basin area, bottom: 38-15/16" x 38-15/16" (988 mm x 988 mm)
 Basin area, top: 39-7/8" x 39-7/8" (1012 mm x 1012 mm)
 Weight: 662 lbs (300.3 kg)
 Minimum floor load: 70 lbs/ft² (341.8 kg/m²)
 Water depth: 26-9/16" (674 mm)
 Water capacity: 155 gal (586.7 L)
 Pump speed: Three speed

Notes

Measure your actual product for rough-in details.

Install this product according to the installation instructions.

The hot water supply should be 70% of the capacity of the bath or greater. Installations will vary.

Layout and prep dimensions shown in Installation guide.