

Features

- 21" (533 mm) minimum base cabinet width
- Single bowl
- 9-1/2" (241 mm) depth provides generous workspace
- Rear drain placement increases cabinet storage space underneath sink
- Includes installation hardware

Material

- Premium 18-gauge stainless steel

Installation

- Undermount

Recommended Products/Accessories

- K-8801 Sink drain and strainer with tailpiece
- K-8799 Sink drain and strainer basket
- K-23726 Drain treatment
- K-23729 Stainless steel cleaner

Optional Products/Accessories

- K-11352 Disposal Flange with Stopper

Included Components

- 91915 Hardware Kit



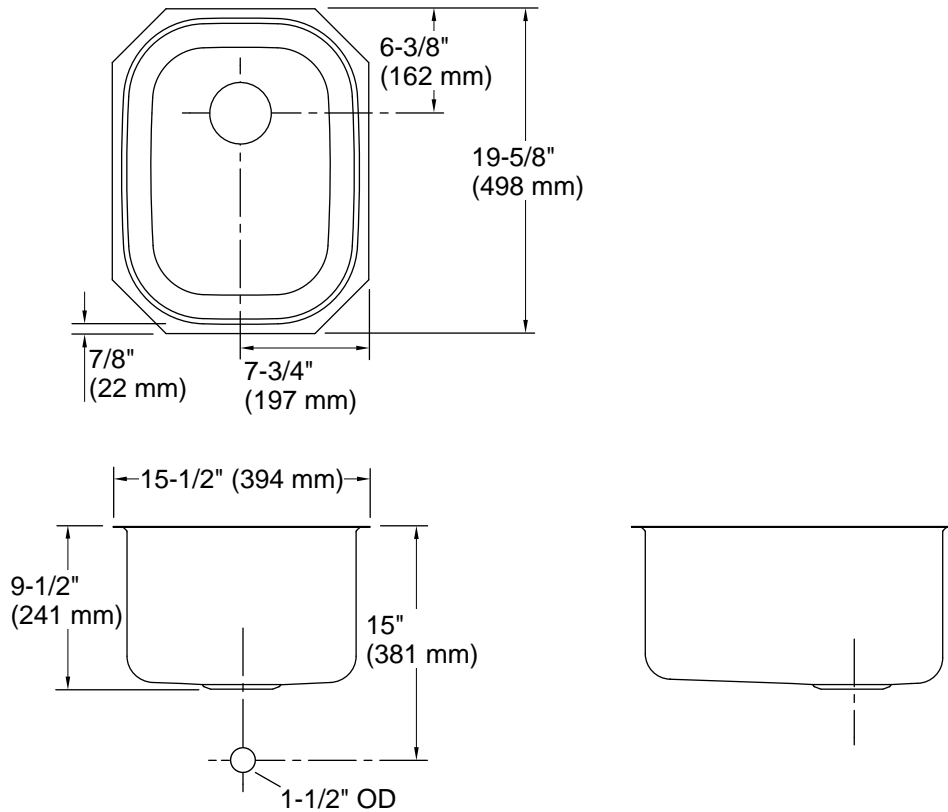
ADA

Codes/Standards

ASME A112.19.3/CSA B45.4
ADA
ICC/ANSI A117.1
IAPMO Certification

KOHLER® Stainless Steel Sinks Lifetime Limited Warranty

See website for detailed warranty information.



Technical Information

All product dimensions are nominal.

Basin configuration: Single Bowl
Min. base cabinet width: 21" (533 mm)

Bowl area: Length: 13-3/4" (349 mm)
Width: 17-7/8" (454 mm)
Bowl depth: 9-1/2" (241 mm)

Drain hole: 3-5/8" (92 mm)

Template: 113198, required, included

Notes

Install this product according to the installation instructions.

ADA compliant when installed to the specific requirements of these regulations.

ADA permits a parallel approach to wet bars.