



**Chalice**  
22-3/4" oval vessel bathroom sink  
**K-31705-1**

**Features**

- Elongated oval basin
- With overflow
- Single faucet hole
- Color matches seamlessly with other KOHLER® products

**Material**

- Vitreous china

**Installation**

- Vessel



**ADA**

**Codes/Standards**

ASME A112.19.2/CSA B45.1  
ADA  
ICC/ANSI A117.1  
IAPMO Certification

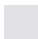
**KOHLER® Vitreous China Bathroom Sink Lifetime Limited Warranty**

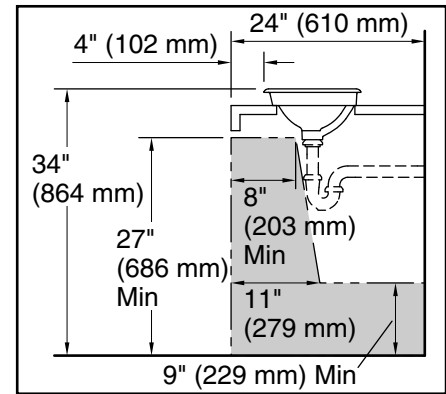
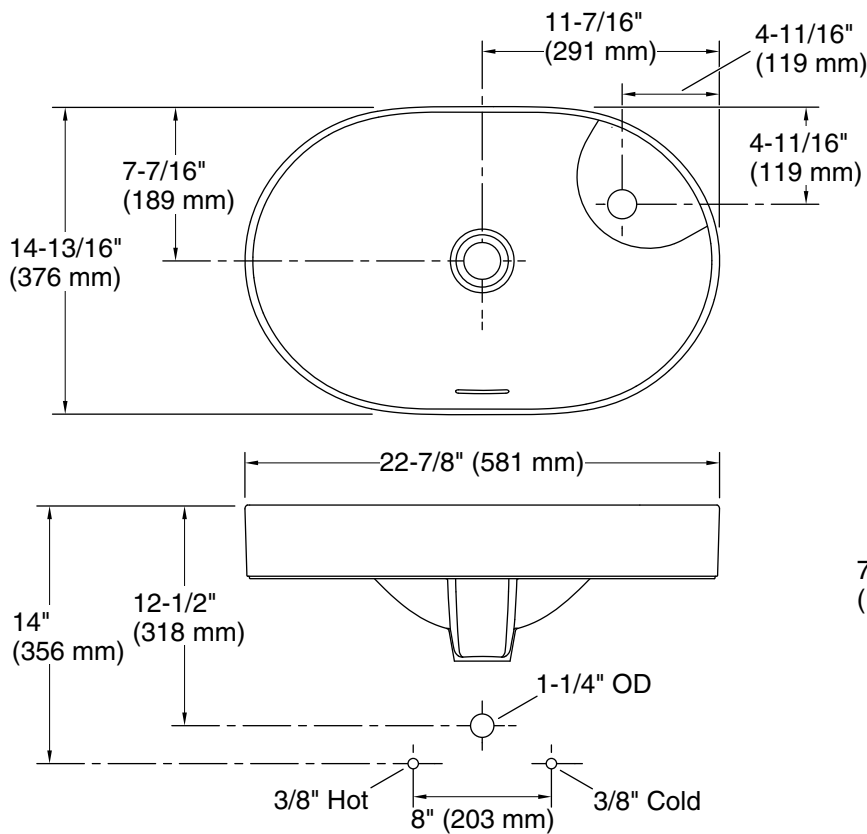
See website for detailed warranty information.

**Available Colors/Finishes**

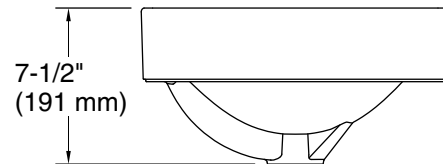
*Color tiles intended for reference only.*

**Color Code Description**

	0	White
---	---	-------



Recommended ADA Installation



### Technical Information

All product dimensions are nominal.

Basin configuration: Single Bowl

With overflow: Yes

Drain hole: 1-3/4" (45 mm)

Template: Above-counter, 1507716-7, required, not included

### Notes

Install this product according to the installation instructions.

ADA compliant when installed to the specific requirements of these regulations.