



# Undertone® Preserve®

31-1/2" undermount double-bowl kitchen sink  
K-3171-HCF

## Features

- 36" minimum base cabinet width
- Double-equal bowls
- 9-1/2" (241 mm) depth provides generous workspace
- Innovative Preserve™ sink resists scratching and withstands everyday wear and tear
- Rear drain placement increases cabinet storage space underneath sink
- Includes bottom sink rack
- Includes installation hardware



## Material

- Premium 18-gauge stainless steel

## Installation

- Undermount

## Recommended Products/Accessories

- K-6388 Sink Rack
- K-3294 Hardwood cutting board for kitchen sinks
- K-8801 Sink drain and strainer with tailpiece (Qty 2)
- K-8799 Sink drain and strainer basket
- K-23726 Drain treatment
- K-23729 Stainless steel cleaner

## Optional Products/Accessories

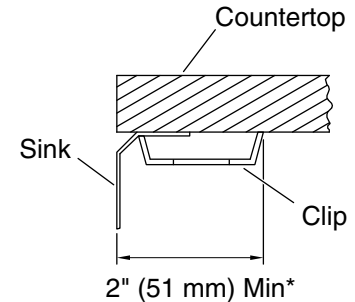
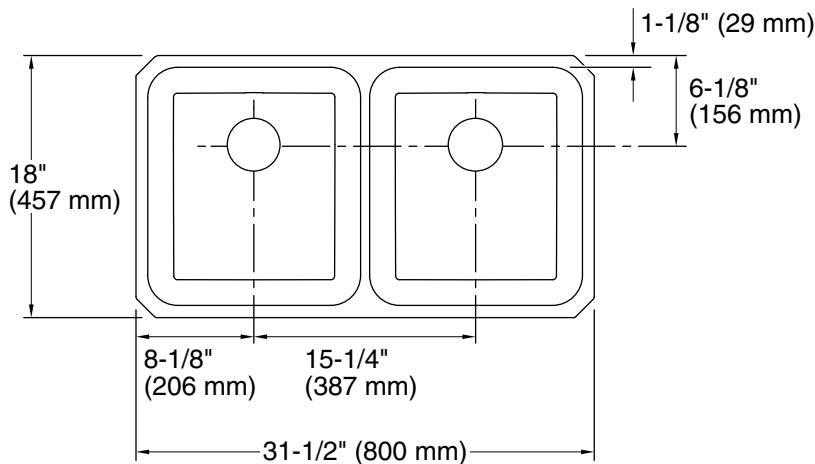
- K-11352 Disposal Flange with Stopper

## Codes/Standards

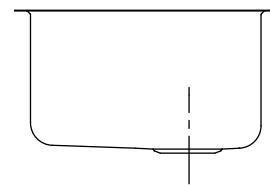
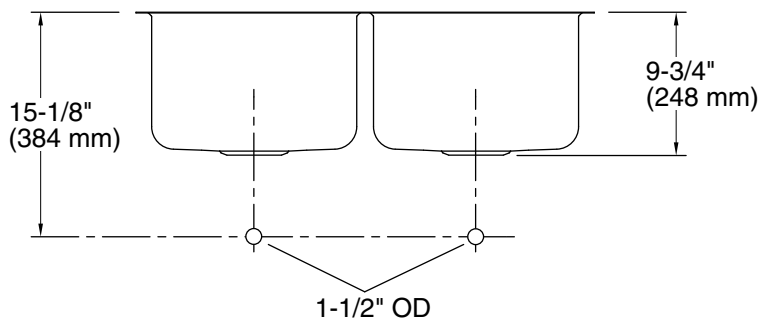
ASME A112.19.3/CSA B45.4  
IAPMO Certification

## KOHLER® Stainless Steel Sinks Lifetime Limited Warranty

See website for detailed warranty information.



\* Allow clearance around sink rim for clip attachment.



### Technical Information

All product dimensions are nominal.

Basin configuration: Equal Bowls

Min. base cabinet width: 36" (914 mm)

Bowl area (Left): Length: 14" (356 mm)  
Width: 15-3/4" (400 mm)  
Bowl depth: 9-1/2" (241 mm)  
Water depth: 9-1/2" (241 mm)

Bowl area (Right): Length: 14" (356 mm)  
Width: 15-3/4" (400 mm)  
Bowl depth: 9-1/2" (241 mm)  
Water depth: 9-1/2" (241 mm)

Drain hole: 3-3/4" (94 mm)

Template: 1221369-7, required, included

### Notes

Install this product according to the installation instructions.

Allow a minimum of 2" (51 mm) clearance around the sink rim for clip attachment.