



**Draft®**  
Pivoting toilet paper holder  
**K-31750**

**Features**

- Holds Draft 6" (152 mm) tray, holder, or container (sold separately)
- Coordinates with other products in the Draft collection

**Material**

- Premium metal construction for durability and reliability
- KOHLER® finishes resist corrosion and tarnishing

**Installation**

- Installation template and tools included

**Recommended Products/Accessories**

K-23723 Faucet cleaner

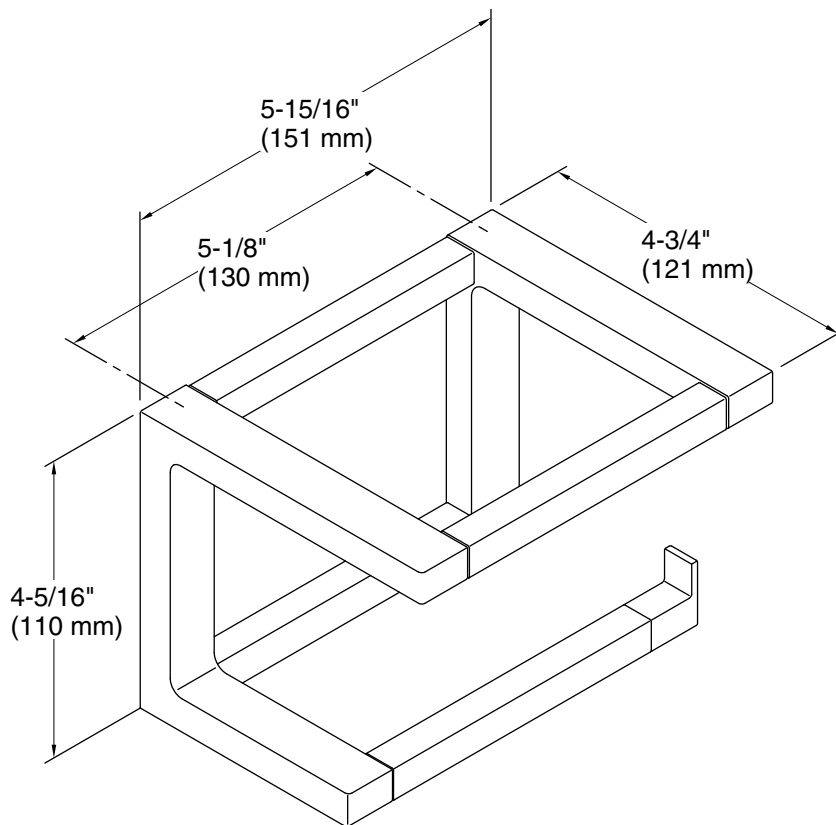


**Codes/Standards**

None Applicable

**KOHLER® Faucet Lifetime Limited  
Warranty**

See website for detailed warranty information.



## Technical Information

All product dimensions are nominal.

Material: Zinc, Brass

## Notes

Install this product according to the installation instructions.

**CAUTION:** Risk of personal injury. Do not install these products in any area where they are likely to be used inadvertently as a grab bar or support bar. These products are not designed or intended for use as a grab bar or support bar.